

NOTES:

1. HOLES AND INTERFACE DIMENSIONS PER MIL-PRF-83513/2.
2. MATEABLE WITH CONNECTORS MANUFACTURED PER MIL-PRF-83513/1 AND MIL-PRF-83513/3.
3. DESIGNED TO BE LASER WELDED INTO COMPATIBLE STAINLESS STEEL HOUSING.
4. HERMETIC LEAK RATE: LESS THAN OR EQUAL TO  $1 \times 10^{-9}$  CC/SEC  $H_2$  AT 1 ATM DIFFERENTIAL PRESSURE.
5. ELECTRICAL REQUIREMENTS:  
 INSULATION RESISTANCE: GREATER THAN 5,000 MEGOHMS AT  $500 \pm 10\%$  VDC AT  $25^\circ C$  WHEN TESTED IAW MIL-STD-1344, METHOD 3003.  
 DIELECTRIC WITHSTANDING VOLTAGE: MUST SHOW NO EVIDENCE OF BREAKDOWN OR FLASHOVER WHEN SUBJECTED TO 600 VAC RMS 60Hz IAW MIL-STD-1344, METHOD 3001. DURATION OF APPLICATION TO BE 1 SEC MIN.
6. MATERIALS:  
 SHELL: 304L STAINLESS STEEL  
 CONTACTS: BERYLLIUM-COPPER IAW ASTM B196 OR ASTM B197.  
 INSULATORS: KRYOFLEX 313 PROPRIETARY POLYCRYSTALLINE CERAMIC.  
 INTERFACIAL SEAL: FLUOROSILICONE RUBBER IAW MIL-R-25988, CLASS I, TYPE II, GRADE 60.
7. FINISH:  
 CONTACTS: ELECTROLYTIC NICKEL PLATE IAW QQ-N-290, .00075/.000150 THICK,  
 GOLD PLATE IAW ASTM B488, TYPE III, GRADE A OR MIL-G-45204, TYPE III, GRADE A, .000100/.000150 THICK.

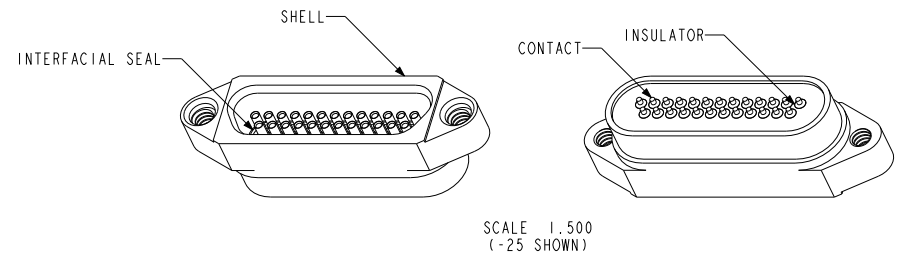
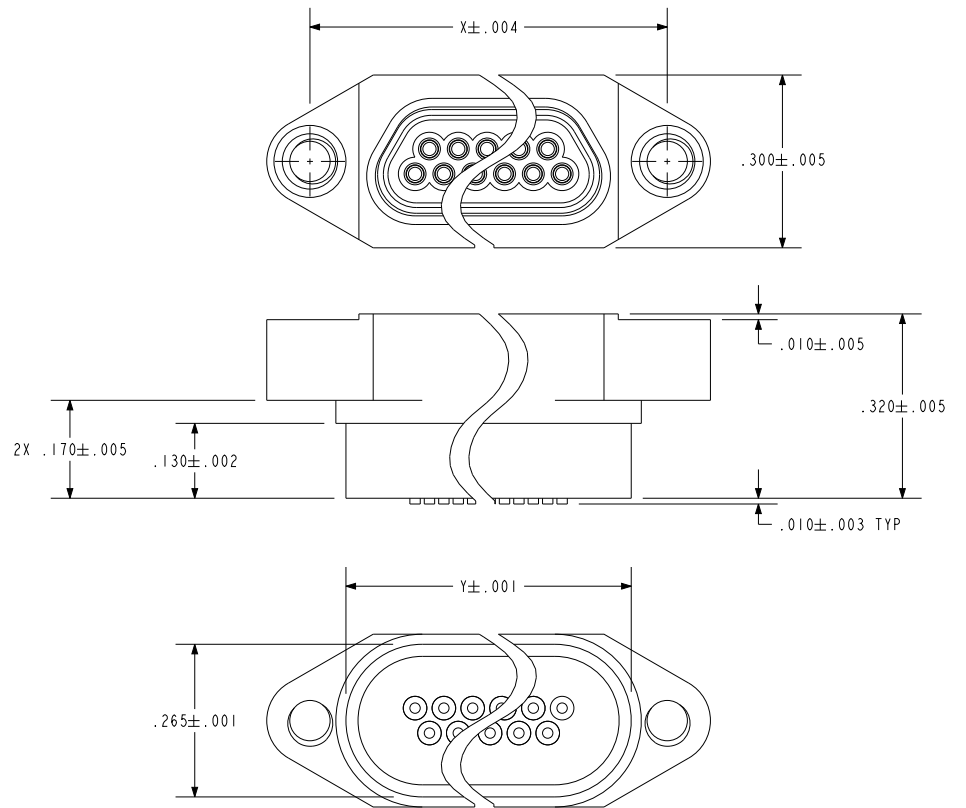
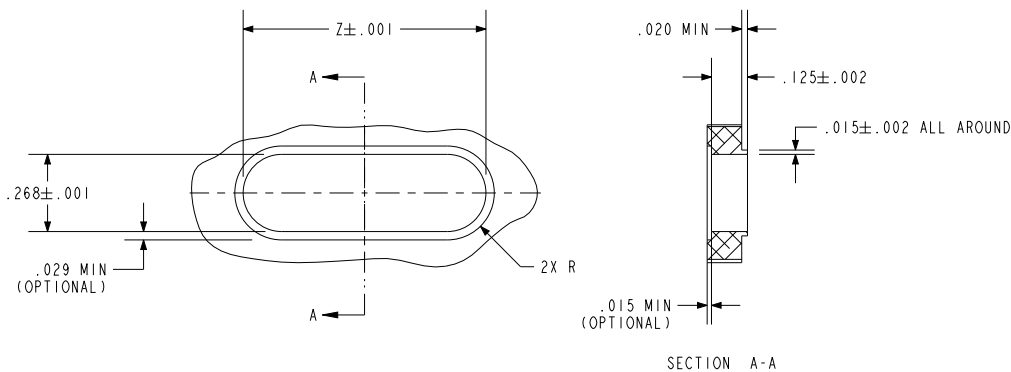
8. ORDERING INFORMATION:

PLEASE SPECIFY ACCORDING TO THE FOLLOWING:

93045 - X - NS

- NS: NO SEAL (INTERFACIAL SEAL NOT SUPPLIED)
- PIN COUNT: 9, 15, 21, 25, 31, OR 37
- BASE PART NUMBER

NUMBER OF CONTACTS	X	Y	Z
9	.565	.440	.443
15	.715	.590	.593
21	.865	.740	.743
25	.965	.840	.843
31	1.115	.990	.993
37	1.265	1.140	1.143



		434 Olds Station Rd. Wenatchee, Washington 98801 <a href="http://WWW.PACAERO.COM">WWW.PACAERO.COM</a>	
TITLE: CONNECTOR, MICRO-D, CUSTOM		THIRD ANGLE PROJECTION 	
VERSION: G.2		CAGE CODE: 64567	
RELEASE DATE: 01-24-08		DOCUMENT: 0-93045	
SALES DRAWING		SHEET: 1 OF 1	