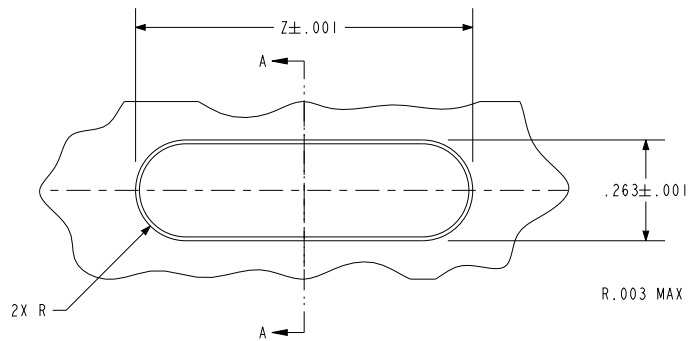


NOTES:

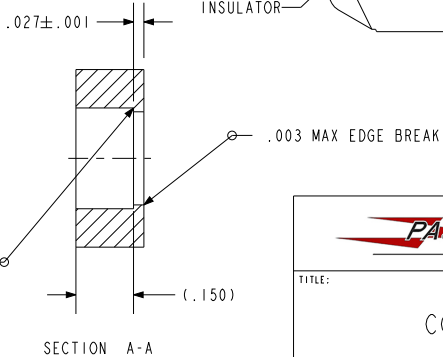
1. HOLES AND INTERFACE DIMENSIONS PER MIL-PRF-83513/2.
2. MATEABLE WITH CONNECTORS MANUFACTURED PER MIL-PRF-83513/1 AND MIL-PRF-83513/3.
3. DESIGNED TO BE LASER WELDED INTO COMPATIBLE STAINLESS STEEL HOUSING.
4. HERMETIC LEAK RATE: LESS THAN OR EQUAL TO 1×10^{-9} CC/SEC He AT 1 ATM DIFFERENTIAL PRESSURE.
5. ELECTRICAL REQUIREMENTS:
 - INSULATION RESISTANCE: GREATER THAN 5,000 MEGOHMS AT $500 \pm 10\%$ VDC AT 25°C WHEN TESTED IAW MIL-STD-1344, METHOD 3003.
 - DIELECTRIC WITHSTANDING VOLTAGE: MUST SHOW NO EVIDENCE OF BREAKDOWN OR FLASHOVER WHEN SUBJECTED TO 600 VAC RMS 60Hz IAW MIL-STD-1344, METHOD 3001. DURATION OF APPLICATION TO BE 1 SEC MIN.
6. MATERIALS:
 - SHELL: 304L STAINLESS STEEL
 - CONTACTS: BERYLLIUM-COPPER IAW ASTM B196 OR ASTM B197.
 - INSULATORS: KRYOFLEX 313 PROPRIETARY POLYCRYSTALLINE CERAMIC.
 - INTERFACIAL SEAL: FLUOROSILICONE RUBBER IAW MIL-R-25988, CLASS I, TYPE II, GRADE 60.
7. FINISH:
 - CONTACTS: ELECTROLYTIC NICKEL PLATE IAW QQ-N-290, .000100/.000250 THICK.
 - GOLD PLATE IAW ASTM B488, TYPE III, CODE A OR MIL-G-45204, TYPE III, GRADE A, .000100/.000250 THICK.
8. ORDERING INFORMATION:
 - PLEASE SPECIFY ACCORDING TO THE FOLLOWING

93061 - X
 BASE PART NUMBER PIN COUNT
 (9, 15, 21, 25, 31, OR 37)

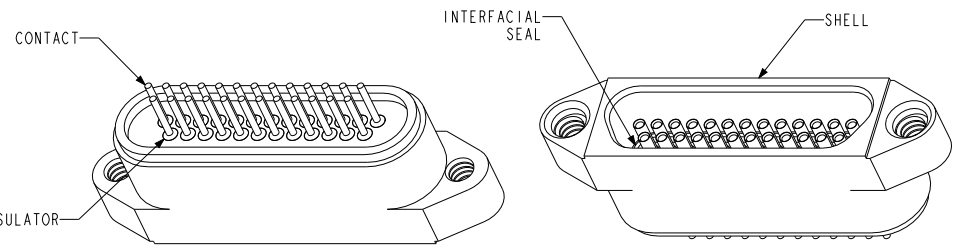
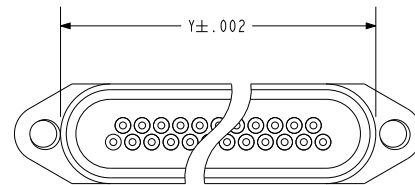
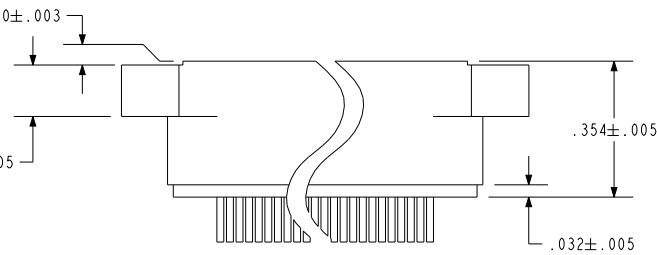
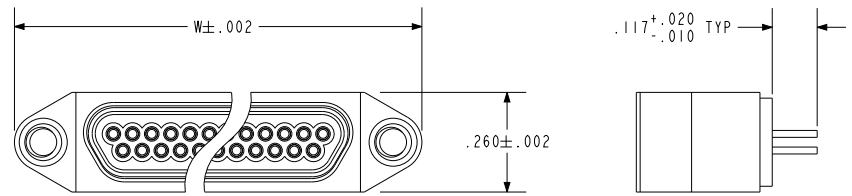
TABLE I			
NUMBER OF CONTACTS	W	Y	Z
9	.715	.475	.478
15	.865	.600	.603
21	1.015	.775	.778
25	1.115	.875	.878
31	1.265	1.025	1.028
37	1.415	1.175	1.178



RECOMMENDED HOLE DETAIL



VERSION: A.1 RELEASE DATE: 01-23-08



(-25 SHOWN)

		434 Olds Station Rd. Wenatchee, Washington 98801		WWW.PACAERO.COM	
TITLE: CONNECTOR, MICRO-D, SST-COMPATIBLE			THIRD ANGLE PROJECTION		
			CAGE CODE: 64567		
SHEET: 1 OF 1		DOCUMENT: 0-93061			

SALES DRAWING