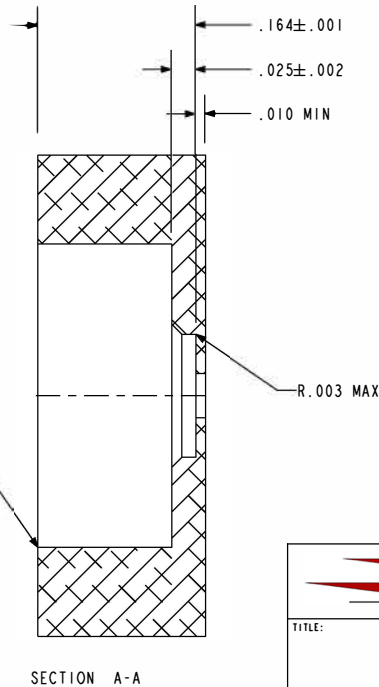
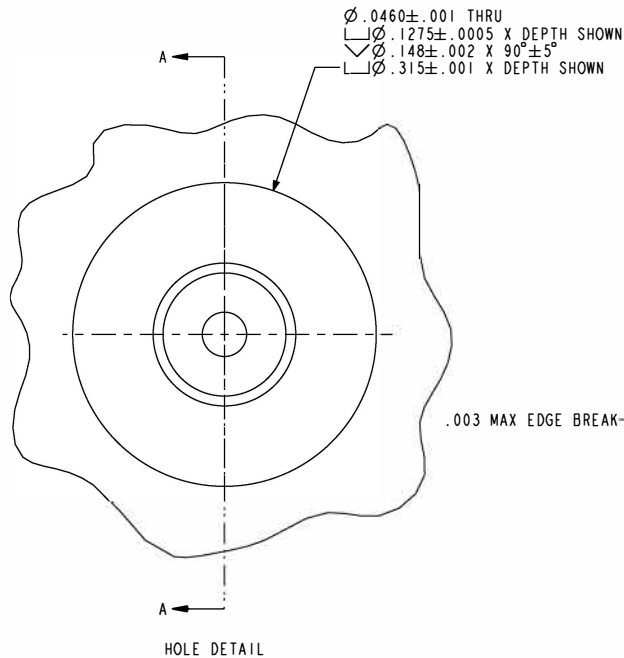
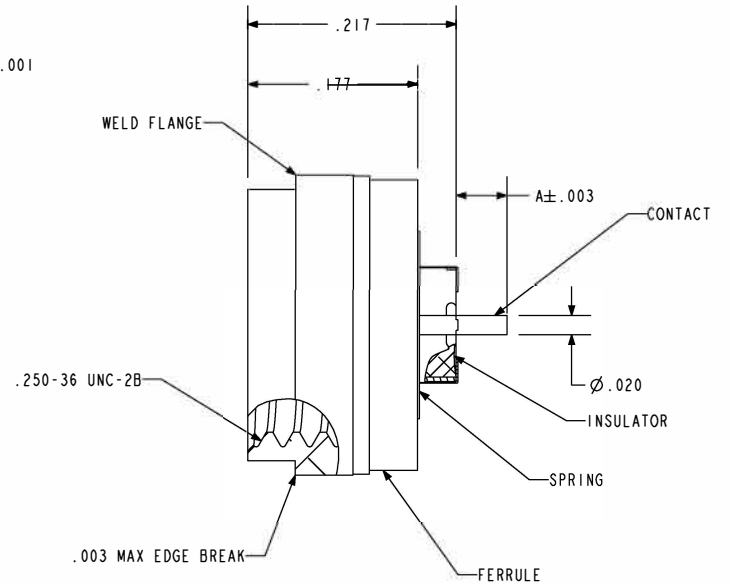
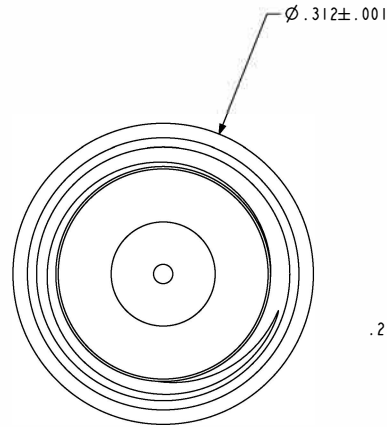


NOTES:

1. INTERFACE PER MIL-STD-348.
2. HERMETIC LEAK RATE: LESS THAN OR EQUAL TO 1×10^{-9} CC/SEC He AT 1 ATM DIFFERENTIAL PRESSURE.
3. NOMINAL IMPEDANCE: 50 OHMS.
4. DIELECTRIC WITHSTANDING VOLTAGE: 500VAC RMS MIN. @ SEA LEVEL.
5. INSULATION RESISTANCE: 5000 MEGOHMS MINIMUM.
6. DESIGNED TO BE LASER WELDED INTO TITANIUM HOUSINGS.
7. MATERIALS:
 WELD FLANGE: TITANIUM.
 FERRULE: Ni/Fe/Co (KOVAR) IAW ASTM-F15 OR MIL-I-23011.
 CONTACT: Ni/Fe/Co (KOVAR) IAW ASTM-F15 OR MIL-I-23011.
 INSULATOR: 7070 CORNING GLASS OR EQUIVALENT.
 GROUND SPRING: FULL HARD 302 S.ST. IAW ASTM-A276 OR 304L S.ST. IAW QQ-S-763.
8. FINISH: PIN, FERRULE AND SHELL
 NICKEL PLATE IAW ASTM B733, TYPE 1, CLASS 4, .000100/.000200 THICK.
 GOLD PLATE IAW ASTM B488, TYPE 1, CODE A, .000050/.000150 THICK.
9. ORDERING INFORMATION:
 PLEASE SPECIFY ACCORDING TO THE FOLLOWING:

93358 - 030
 A = HERMETIC PIN EXTENSION (.020 MIN/.120 MAX)
 (BEFORE SPRING INSTALLATION)
 BASE PART NUMBER



SCALE 2.000

P&E		434 Olds Station Rd. Wenatchee, Washington 98801		WWW.PACAERO.COM	
TITLE: CONNECTOR, SMA, TITANIUM COMPATIBLE			THIRD ANGLE PROJECTION		
VERSION C.0			RELEASE DATE: 01-06-11		
SALES DRAWING			SHEET: 1 OF 1		
			DOCUMENT: 0-93358		