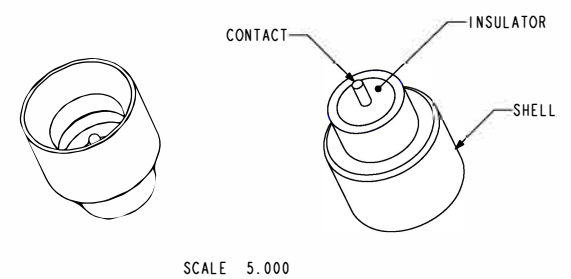
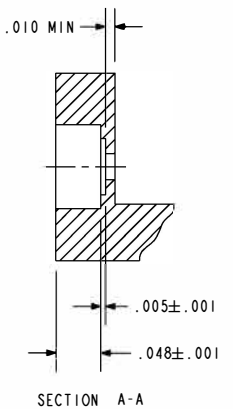
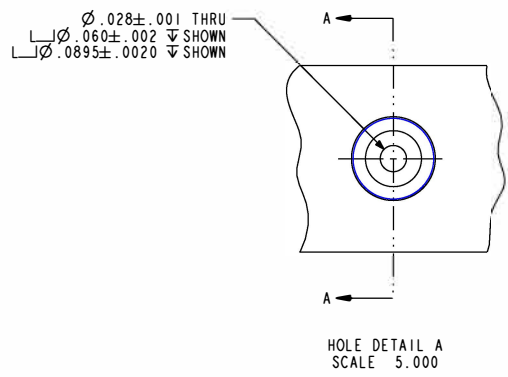
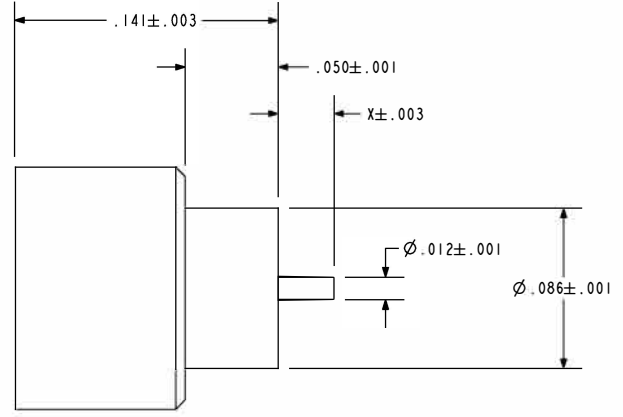
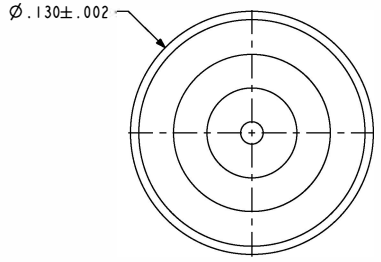
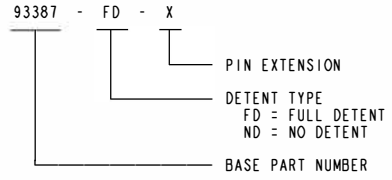


NOTES:

1. HERMETIC LEAK RATE: LESS THAN OR EQUAL TO 1×10^{-9} CC/SEC He AT 1 ATM DIFFERENTIAL PRESSURE.
2. NOMINAL IMPEDANCE: 50 OHMS.
3. DIELECTRIC WITHSTANDING VOLTAGE: 500VAC RMS MIN. @ SEA LEVEL.
4. INSULATION RESISTANCE: 5000 MEGOHMS MINIMUM.
5. DESIGNED TO BE SOLDERED INTO Ni/Fe/Co (KOVAR).
6. MATERIALS:
SHELL: Ni/Fe/Co (KOVAR).
CONTACT: KOVAR 1AW ASTM-F15 OR MIL-I-23011.
INSULATOR: 7070 CORNING GLASS OR EQUIVALENT.
7. FINISH: PIN AND BODY
NICKEL PLATE 1AW QQ-N-290, .000100/.000250 THICK.
GOLD PLATE 1AW ASTM-B488, TYPE I, GRADE A, .00005/.000150 THICK.
8. ORDERING INFORMATION:
PLEASE SPECIFY ACCORDING TO THE FOLLOWING:



RECOMMENDED HOLE DETAIL

		434 Olds Station Rd. Wenatchee, Washington 98801		WWW.PACAERO.COM	
TITLE: CONNECTOR, SSMP				THIRD ANGLE PROJECTION	
				CAGE CODE: 64567	
VERSION: A.0		RELEASE DATE: 05-08-07		DOCUMENT: 0-93387	
SALES DRAWING			SHEET: 1 OF 1		pro/ENGINEER