

NOTES:

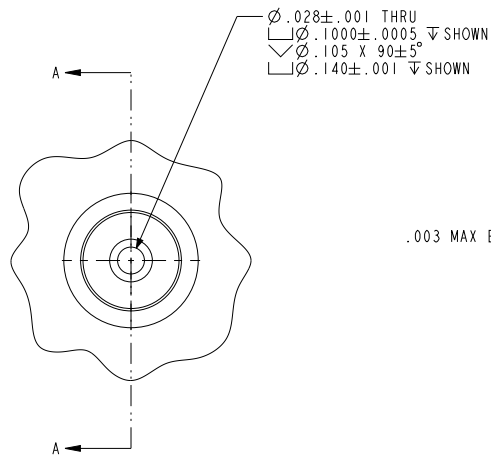
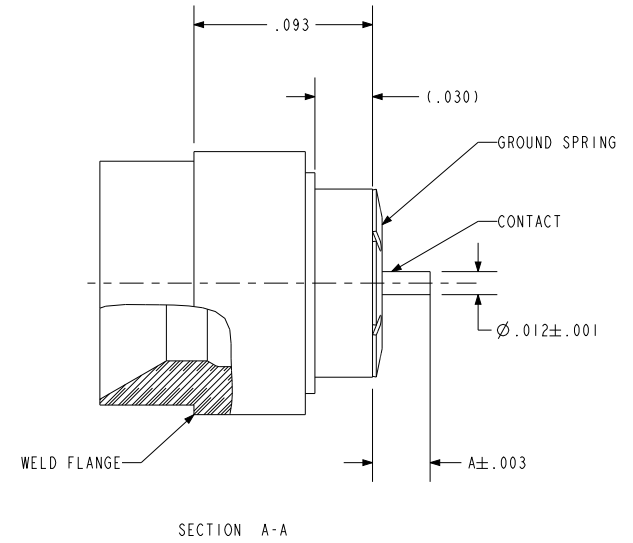
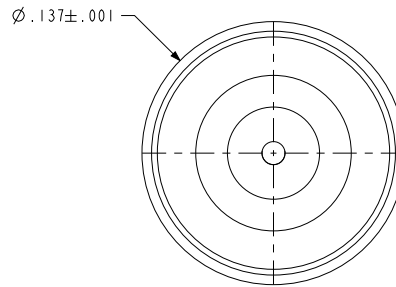
1. HERMETIC LEAK RATE: LESS THAN OR EQUAL TO  $1 \times 10^{-9}$  CC/SEC He AT 1 ATM DIFFERENTIAL PRESSURE.
2. NOMINAL IMPEDANCE: 50 OHMS.
3. INSULATION RESISTANCE: 5000 MEGOHMS MINIMUM.
4. DESIGNED TO BE LASER WELDED INTO TITANIUM HOUSINGS.
5. MATERIALS:  
 WELD FLANGE: TITANIUM (GRADE 1 OR 2)  
 CONTACT: Ni/Fe/Co (KOVAR) IAW ASTM-F15 OR MIL-I-23011.  
 INSULATOR: 7070 CORNING GLASS OR EQUIVALENT.  
 GROUND SPRING: BeCu 173/174 IAW ASTM-B194, TD04.
6. FINISH: CONTACT, BODY AND GROUND SPRING:  
 NICKEL PLATE IAW QQ-N-290, OR EQUIVALENT, .000100/.000250 THICK.  
 GOLD PLATE IAW ASTM B488, TYPE III, CODE A, OR EQUIVALENT, .000050/.000150 THICK.
7. GROUND SPRING SHIPPED LOOSE AND UNATTACHED.
8. ORDERING INFORMATION:  
 PLEASE SPECIFY ACCORDING TO THE FOLLOWING:

EXAMPLE: 93842 - FD - 050

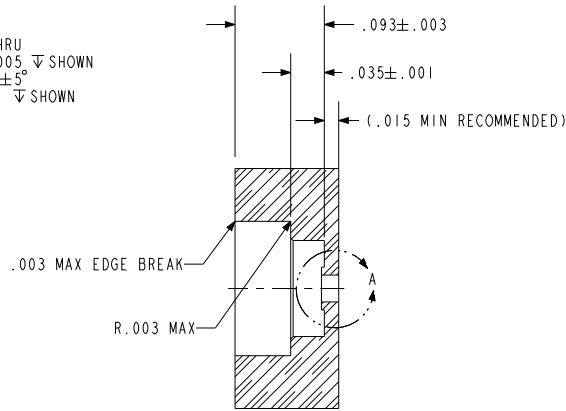
A = PIN EXTENSION (.020 MIN/.120 MAX)

FD = FULL DETENT, ND = NO DETENT

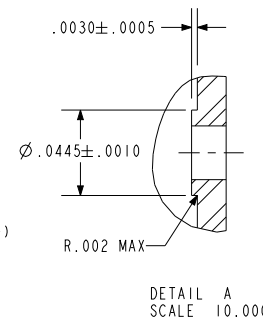
BASE PART NUMBER



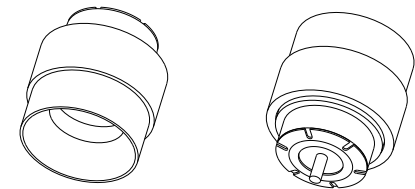
HOLE DETAIL  
SCALE 5.000



SECTION A-A



DETAIL A  
SCALE 10.000



SCALE 5.000

		434 Olds Station Rd. Wenatchee, Washington 98801 <a href="http://WWW.PACAERO.COM">WWW.PACAERO.COM</a>	
TITLE: CONNECTOR, RF, LASER WELDABLE PUSH-ON (LLWP), HIGH PERFORMANCE,		THIRD ANGLE PROJECTION 	
VERSION: A.0 RELEASE DATE: 01-07-09		CAGE CODE: 64567 DOCUMENT: 0-93842	
<b>SALES DRAWING</b>		SHEET: 1 OF 1	