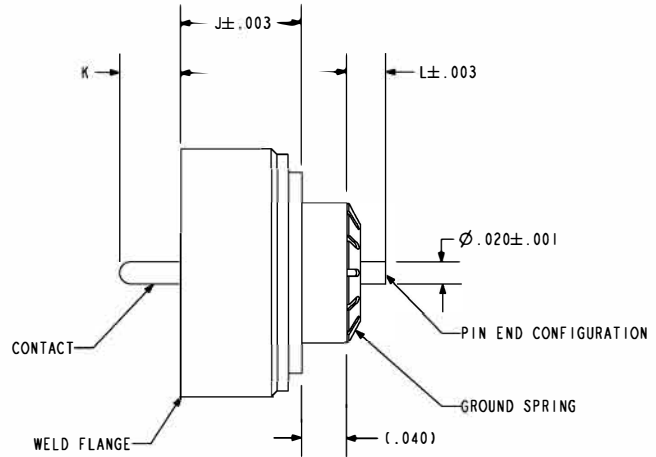
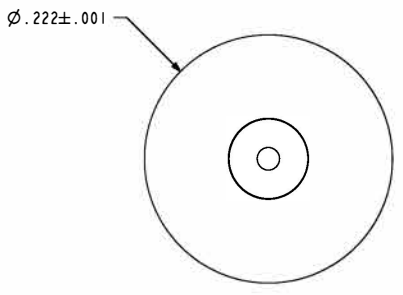
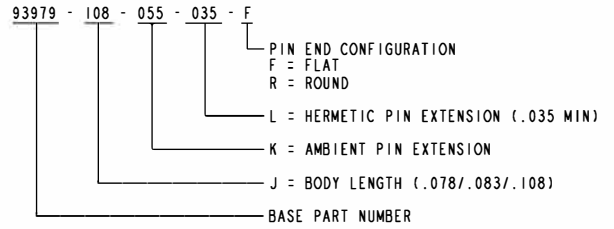
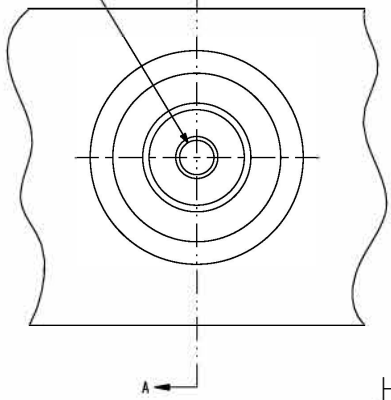


NOTES:

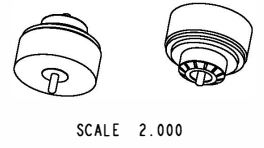
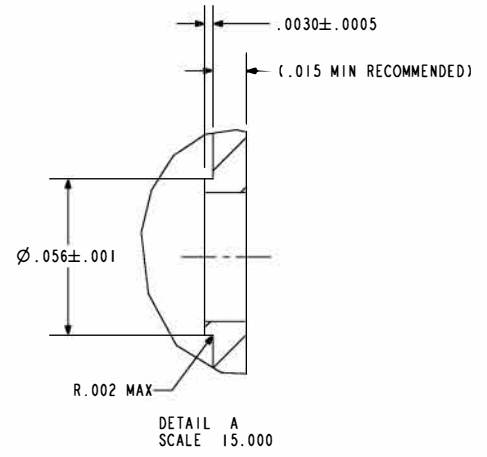
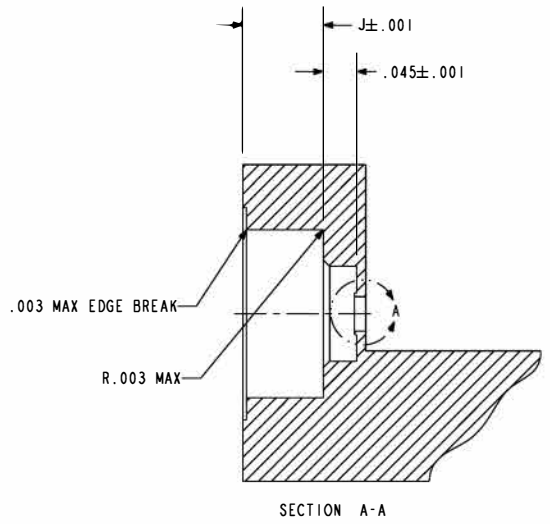
- HERMETIC LEAK RATE: LESS THAN OR EQUAL TO  $1 \times 10^{-9}$  CC/SEC He AT 1 ATM DIFFERENTIAL PRESSURE.
- NOMINAL IMPEDANCE: 50 OHMS.
- INSULATION RESISTANCE: 5000 MEGOHMS MINIMUM.
- DESIGNED TO BE LASER WELDED INTO ALUMINUM 6061 HOUSINGS.
- MATERIALS:  
WELD FLANGE: 4000 SERIES ALUMINUM.  
CONTACT: KOVAR 1AW ASTM-F15 EQUIVALENT.  
INSULATOR: 7070 CORNING GLASS OR EQUIVALENT.  
GROUND SPRING: BeCu-172/173 1AW ASTM-B194, TD04.
- FINISH:  
NICKEL PLATE 1AW ASTM B733, TYPE 1, CLASS 4, .000100/.000250 THICK.  
GOLD PLATE 1AW ASTM B488, TYPE III, CODE A, .000050/.000150 THICK.  
WELD FLANGE: CONVERSION COATED 1AW MIL-C-5541, CL 1A
- GROUND SPRING SHIPPED LOOSE AND UNATTACHED.
- ORDERING INFORMATION:  
PLEASE SPECIFY ACCORDING TO THE FOLLOWING:



- $\phi .0460 \pm .0010$  THRU
- $\phi .1275 \pm .0005$   $\nabla$  SHOWN
- $\nabla \phi .145 \times 90^\circ \pm 5^\circ$
- $\phi .225 \pm .001$   $\nabla$  SHOWN
- $\phi .285 \nabla .005 \pm .002$



**HOLE DETAIL**  
SCALE 4.000



		434 Olds Station Rd. Wenatchee, Washington 98801		WWW.PACAERO.COM	
TITLE: CONNECTOR, RF, FLANGE MOUNT, LASER WELDABLE, HIGH PERFORMANCE, ALUMINUM COMPATIBLE			THIRD ANGLE PROJECTION 		
CAGE CODE: 64567			DOCUMENT: 0-93979		
VERSION: 1	RELEASE DATE: 01-23-07	<b>SALES DRAWING</b>		SHEET: 1 OF 1	DOCUMENT: 0-93979
pro/ENGINEER					