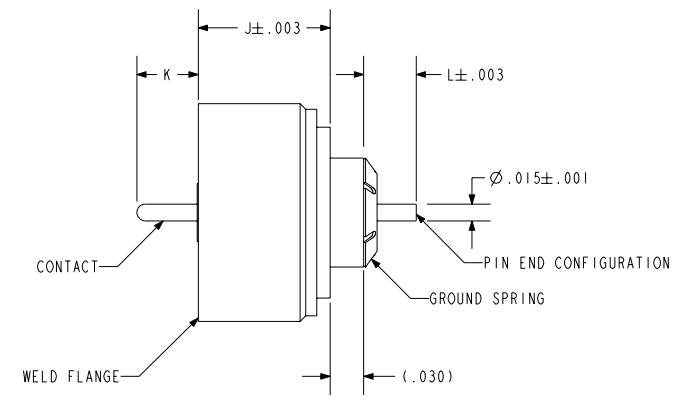
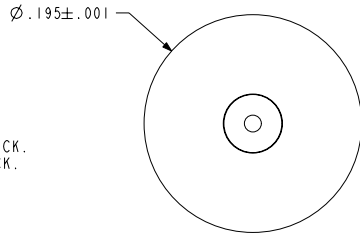
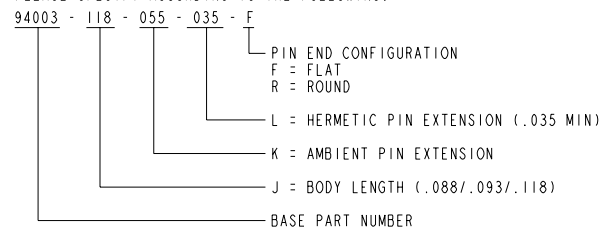


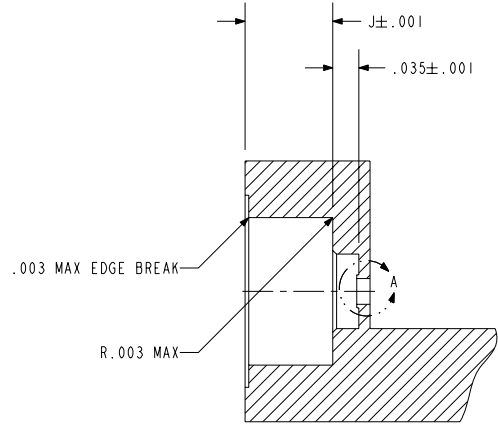
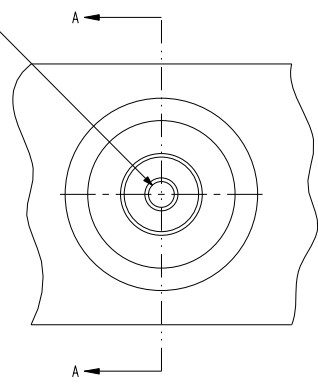
NOTES:

- 1. HERMETIC LEAK RATE: LESS THAN OR EQUAL TO 1×10^{-9} CC/SEC He AT 1 ATM DIFFERENTIAL PRESSURE.
- 2. NOMINAL IMPEDANCE: 50 OHMS.
- 3. INSULATION RESISTANCE: 5000 MEGOHMS MINIMUM.
- 4. DESIGNED TO BE LASER WELDED INTO ALUMINUM 6061 HOUSINGS.
- 5. MATERIALS:
WELD FLANGE: 4000 SERIES ALUMINUM.
CONTACT: KOVAR IAW ASTM-F15 OR EQUIVALENT.
INSULATOR: 7070 CORNING GLASS OR EQUIVALENT.
GROUND SPRING: BeCu-172/173 IAW ASTM-B194, TD04.
- 6. FINISH:
NICKEL PLATE IAW ASTM B733, TYPE 1, CLASS 1, OR EQUIVALENT, .000100/.000250 THICK.
GOLD PLATE IAW ASTM B488, TYPE 111, CODE A, OR EQUIVALENT, .000050/.000150 THICK.
WELD FLANGE: CONVERSION COATED IAW MIL-C-5541, CL 1A
- 7. GROUND SPRING SHIPPED LOOSE AND UNATTACHED.

8. ORDERING INFORMATION:
PLEASE SPECIFY ACCORDING TO THE FOLLOWING:

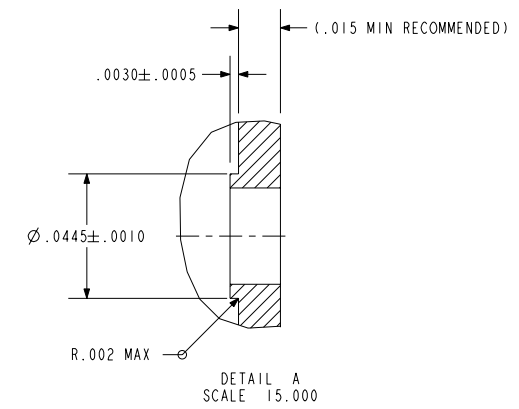


- $\phi .0345 \pm .0010$ THRU
- $\phi .1000 \pm .0005$ ∇ SHOWN
- $\phi .110 \times 90^\circ \pm 5^\circ$
- $\phi .198 \pm .001$ ∇ SHOWN
- $\phi .258 \nabla .005 \pm .002$



HOLE DETAIL

SCALE 4.000



DETAIL A
SCALE 15.000



SCALE 2.000

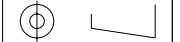


434 Olds Station Rd. Wenatchee, Washington 98801

WWW.PACAERO.COM

TITLE:
CONNECTOR, RF, FLANGE MOUNT, LASER WELDABLE, HIGH PERFORMANCE,
ALUMINUM COMPATIBLE

THIRD ANGLE PROJECTION



CAGE CODE: 64567

VERSION
- .2

RELEASE DATE:
01-19-07

SALES DRAWING

SHEET:
1 OF 1

DOCUMENT:
0-94003