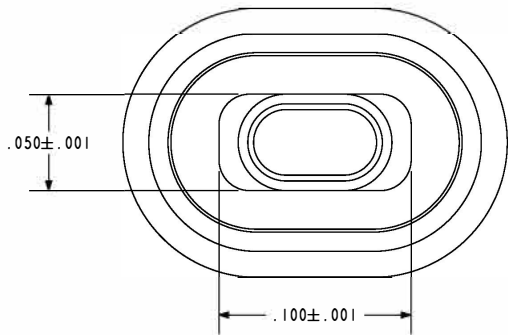
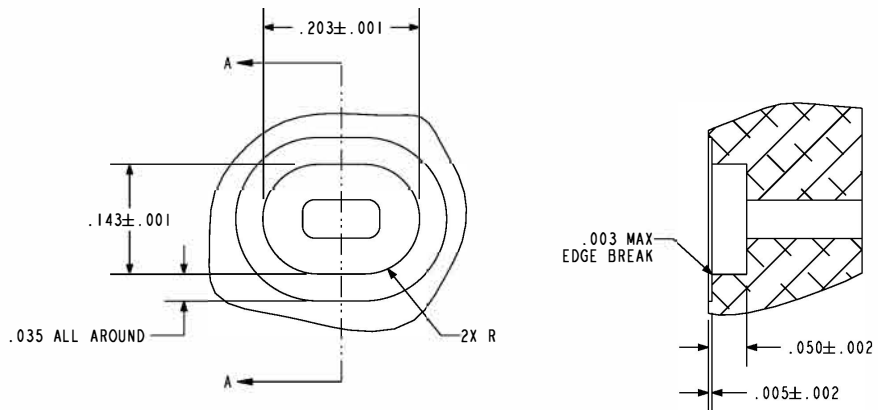
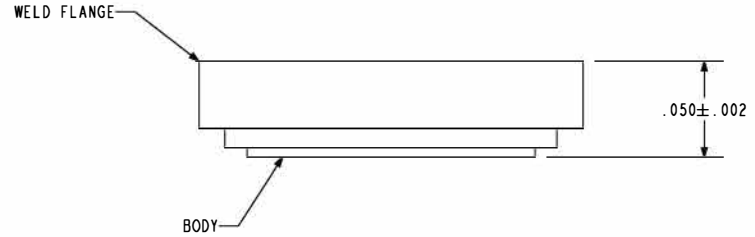
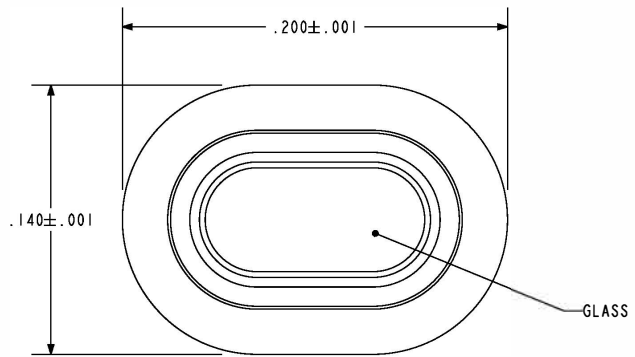


NOTES:

- 1. DESIGNED TO BE LASER WELDED TO AN ALUMINUM HOUSING.
- 2. HERMETIC LEAK RATE: LESS THAN OR EQUAL TO  $1 \times 10^{-9}$  CC/SEC He AT 1 ATM DIFFERENTIAL PRESSURE.
- 3. MATERIALS:  
 WELD FLANGE: EXPLOSION BONDED STAINLESS STEEL TO 4XXX-SERIES ALUMINUM.  
 GLASS: CLEAR 7070 CORNING GLASS.  
 BODY: Ni/Fe/Co (KOVAR) IAW ASTM-F15.
- 4. FINISH:  
 BODY: ELECTROLYTIC NICKEL PLATE IAW QQ-N-290, .000100/.000250 THICK.  
 SHELL: CHEMICAL CONVERSION COAT IAW MIL-C-5541, CLASS 3.
- 5. ORDERING INFORMATION:  
 PLEASE SPECIFY ACCORDING TO THE FOLLOWING  
 94857 - 1



RECOMMENDED HOLE DETAIL

**P&E** 434 Olds Station Rd. Wenatchee, Washington 98801 [WWW.PACAERO.COM](http://WWW.PACAERO.COM)

TITLE:	ASSEMBLY, WINDOW, WAVEGUIDE, WR-10	THIRD ANGLE PROJECTION
		CAGE CODE: 64567

VERSION	A.0	RELEASE DATE:	01-24-12	SHEET:	1 OF 1	DOCUMENT:	0-94857
---------	-----	---------------	----------	--------	--------	-----------	---------

SALES DRAWING