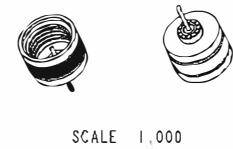
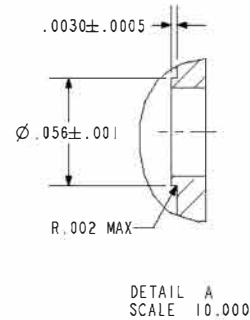
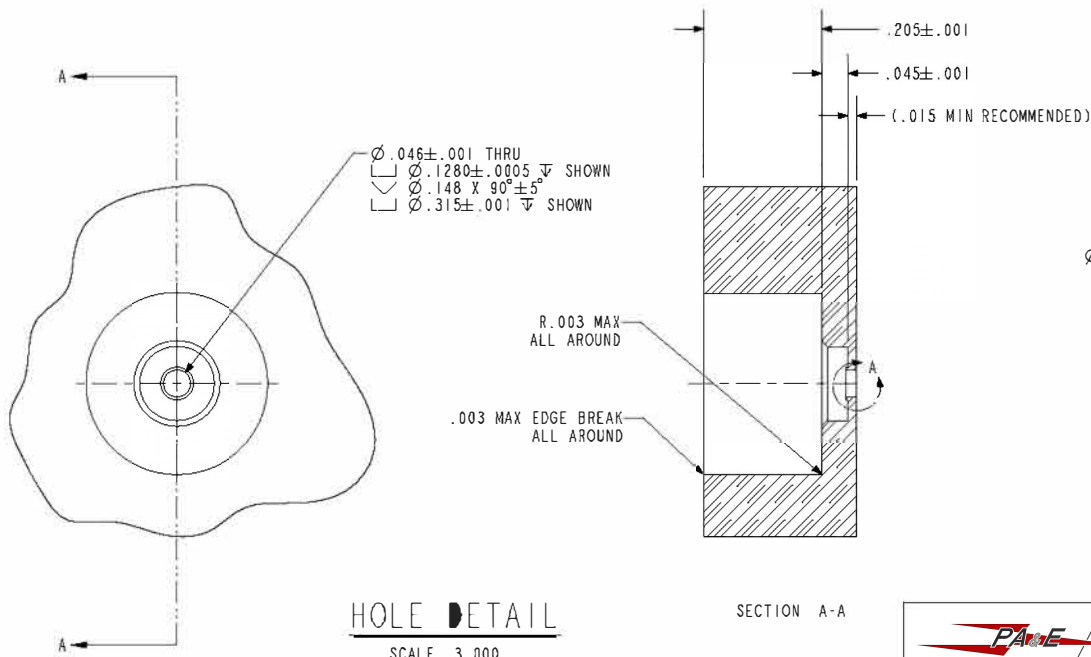
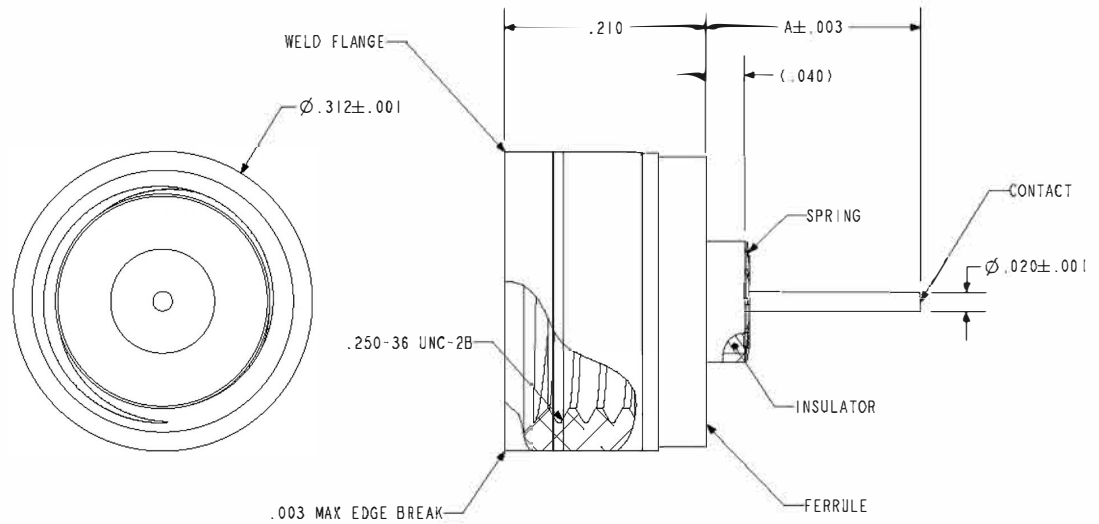


NOTES:

1. INTERFACE PER MIL-STD-348.
2. HERMETIC LEAK RATE: LESS THAN OR EQUAL TO  $1 \times 10^{-9}$  CC/SEC He AT 1 ATM DIFFERENTIAL PRESSURE.
3. NOMINAL IMPEDANCE: 50 OHMS.
4. INSULATION RESISTANCE: 5000 MEGOHMS MINIMUM.
5. DESIGNED TO BE LASER WELDED TO ALUMINUM HOUSINGS.
6. MATERIALS:  
 WELD FLANGE: 4XXX SERIES ALUMINUM.  
 CONTACT: KOVAR IAW ASTM-F15 OR MIL-I-23011.  
 INSULATOR: 7070 CORNING GLASS OR EQUIVALENT.  
 GROUND SPRING: BeCu 173/174 IAW ASTM-B194, TD04.
7. FINISH: CONTACT, FERRULE AND GROUND SPRING:  
 NICKEL PLATE IAW ASTM B733, TYPE I, CLASS I, OR EQUIVALENT, .000100/.000250 THICK.  
 GOLD PLATE IAW ASTM B488, TYPE III, CODE A, OR EQUIVALENT, .000050/.000150 THICK.
8. GROUND SPRING SHIPPED LOOSE AND UNATTACHED.
9. ORDERING INFORMATION:  
 PLEASE SPECIFY ACCORDING TO THE FOLLOWING:

EXAMPLE: 94122 - 086 - F

- \_\_\_\_\_ PIN END CONFIGURATION
- \_\_\_\_\_ A = PIN EXTENSION
- \_\_\_\_\_ BASE PART NUMBER



HOLE DETAIL  
SCALE 3.000

SECTION A-A

DETAIL A  
SCALE 10.000

SCALE 1,000

**PACAE**

434 Olds Station Rd. Wenatchee, Washington 98801

[WWW.PACAERO.COM](http://WWW.PACAERO.COM)

TITLE: CONNECTOR, SMA, HIGH PERFORMANCE, ALUMINUM COMPATIBLE (DIA .020 PIN)

THIRD ANGLE PROJECTION

CAGE CODE: 64567

VERSION: A.2  
RELEASE DATE: 01-05-10

**SALES DRAWING**

SHEET: 1 OF 1

DOCUMENT: 0-94122