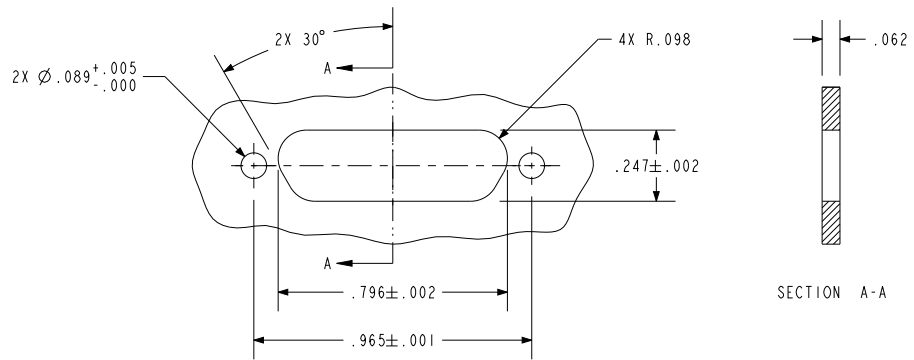
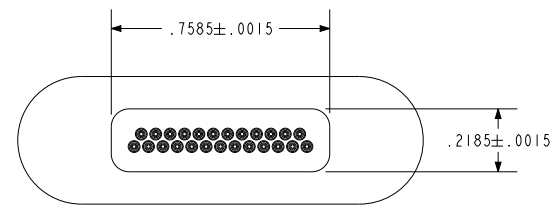
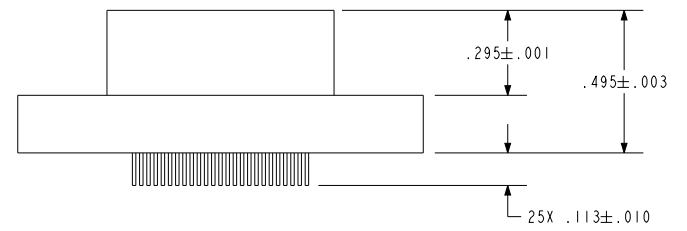
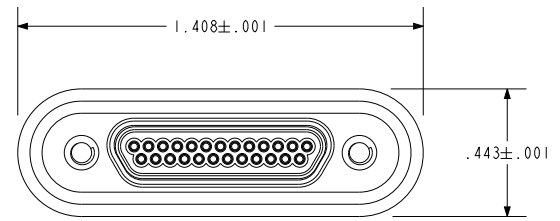
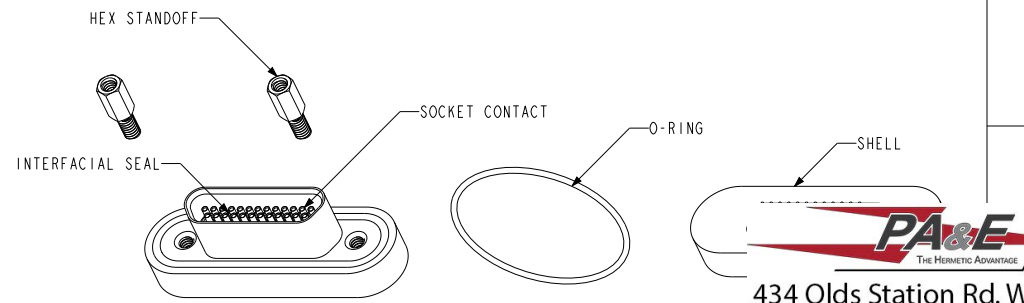


NOTES:

1. HOLES AND INTERFACE DIMENSIONS PER MIL-PRF-83513/2.
2. MATEABLE WITH CONNECTORS MANUFACTURED PER MIL-PRF-83513/1 AND MIL-PRF-83513/3.
3. HERMETIC LEAK RATE: LESS THAN OR EQUAL TO  $1 \times 10^{-9}$  CC/SEC He AT 1 ATM DIFFERENTIAL PRESSURE.
4. ELECTRICAL REQUIREMENTS:
  - INSULATION RESISTANCE: GREATER THAN 5,000 MEGOHMS AT  $500 \pm 10\%$  VDC AT  $25^{\circ}\text{C}$  WHEN TESTED IAW MIL-STD-1344, METHOD 3003.
  - DIELECTRIC WITHSTANDING VOLTAGE: MUST SHOW NO EVIDENCE OF BREAKDOWN OR FLASHOVER WHEN SUBJECTED TO 600 VAC RMS 60Hz IAW MIL-STD-1344, METHOD 3001. DURATION OF APPLICATION TO BE 1 SEC MIN.
5. MATERIALS:
  - SHELL: 304L STAINLESS STEEL.
  - CONTACTS: BERYLLIUM-COPPER IAW ASTM B196 OR ASTM B197.
  - INSULATORS: KRYOFLEX 313 PROPRIETARY POLYCRYSTALLINE CERAMIC.
  - INTERFACIAL SEAL: FLUOROSILICONE RUBBER IAW MIL-R-25988, CLASS I, TYPE II, GRADE 60.
  - MALE-FEMALE HEX STANDOFFS: 300 SERIES STAINLESS STEEL (SHIPPED LOOSE).
  - O-RING: VITON (SHIPPED LOOSE).
6. FINISH:
  - CONTACTS: ELECTROLYTIC NICKEL PLATE IAW QQ-N-290, .000050/.000150 THICK.
  - GOLD PLATE IAW ASTM B488, TYPE II, CODE C OR MIL-G-45204, TYPE II, GRADE C, .000050/.000100 THICK.
7. ORDERING INFORMATION: PART NUMBER 92389-1.



RECOMMENDED HOLE DETAIL



434 Olds Station Rd. Wenatchee WA 98801

**PA&E**  
A Division of  
**HERMETICSOLUTIONS**  
The Hermetic Advantage  
434 Olds Station Rd. Wenatchee WA 98801

WWW.PACAERO.COM

TITLE: CONNECTOR, 25 PIN MICRO-D, O-RING		THIRD ANGLE PROJECTION 
CAGE CODE: 64567		DOCUMENT: 0-92389
SHEET: 1 OF 1		pro/ENGINEER

VERSION G.1	RELEASE DATE: 04-26-07
----------------	---------------------------

**SALES DRAWING**