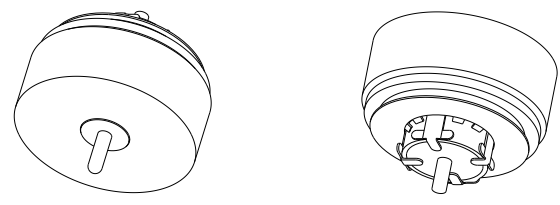
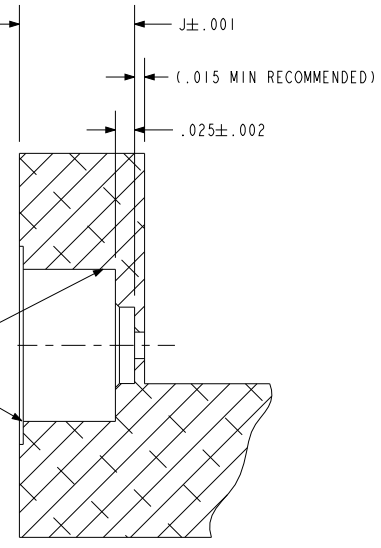
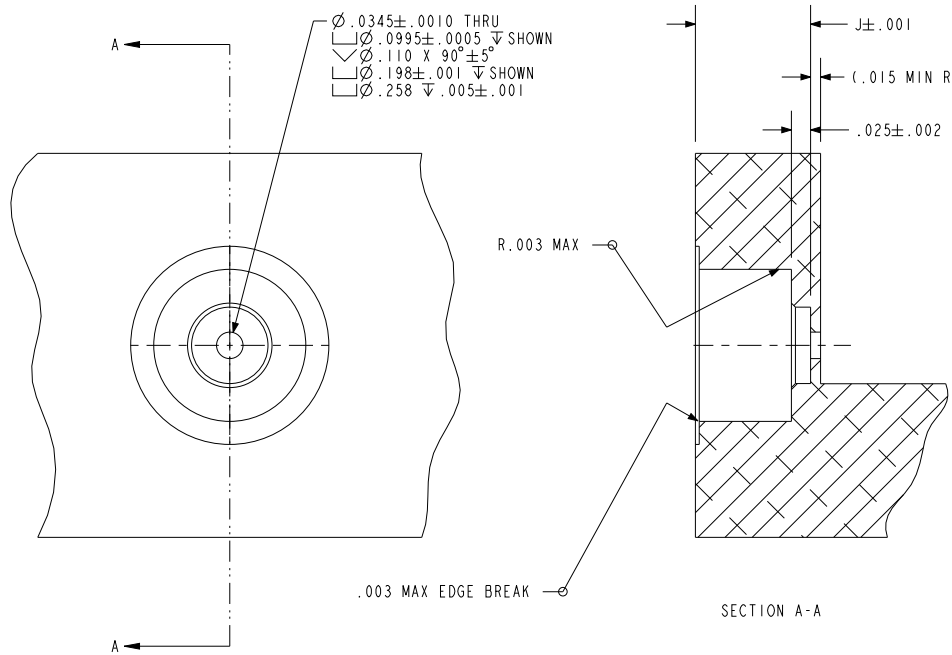
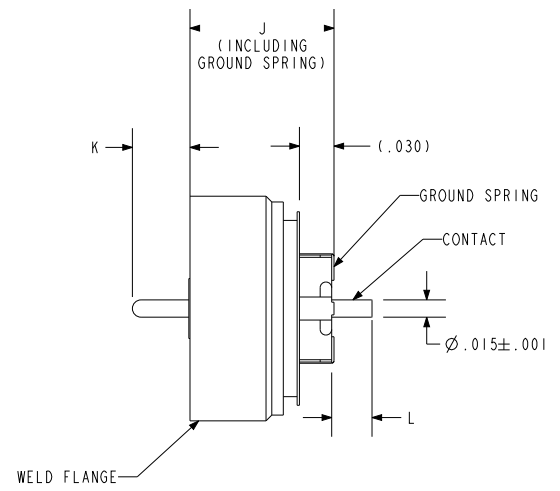
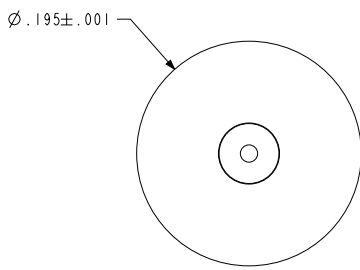
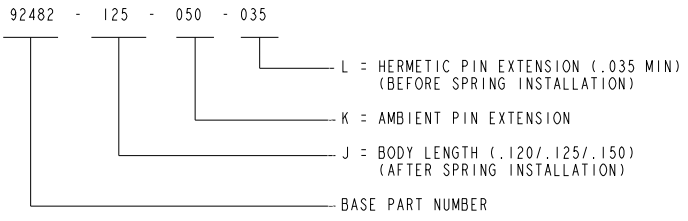


NOTES:

1. HERMETIC LEAK RATE: LESS THAN OR EQUAL TO  $1 \times 10^{-9}$  CC/SEC He AT 1 ATM DIFFERENTIAL PRESSURE.
2. NOMINAL IMPEDANCE: 50 OHMS.
3. INSULATION RESISTANCE: 5000 MEGOHMS MINIMUM.
4. DESIGNED TO BE LASER WELDED INTO ALUMINUM 6061 HOUSINGS.
5. MATERIALS:  
 WELD FLANGE: 4000 SERIES ALUMINUM.  
 CONTACT: KOVAR IAW ASTM-F15 OR MIL-I-23011.  
 INSULATOR: 7070 CORNING GLASS OR EQUIVALENT.  
 GROUND SPRING: S.ST. IAW ASTM-A276 OR QQ-S-763.
6. FINISH:  
 NICKEL PLATE IAW ASTM B733, TYPE I, CLASS 4, .000100/.000250 THICK.  
 GOLD PLATE IAW ASTM B488, TYPE III, CODE A, .000050/.000150 THICK.  
 WELD FLANGE: CONVERSION COATED IAW MIL-C-5541, CL 1A
7. ORDERING INFORMATION:  
 PLEASE SPECIFY ACCORDING TO THE FOLLOWING:



SCALE 5.000

HOLE DETAIL

VERSION	RELEASE DATE:
AA.0	01-22-08

 A Division of <b>HERMETIC SOLUTIONS</b> <small>Enabling Technology</small>		434 Olds Station Rd. Wenatchee WA 98801 <a href="http://WWW.PACERO.COM">WWW.PACERO.COM</a>	
TITLE:		THIRD ANGLE PROJECTION	
ALUMINUM LASER WELDABLE .015 FLANGE MOUNT RF CONNECTOR			
SHEET:		DOCUMENT:	
1 OF 1		0-92482	

SALES DRAWING