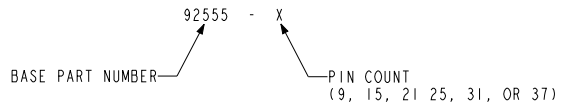
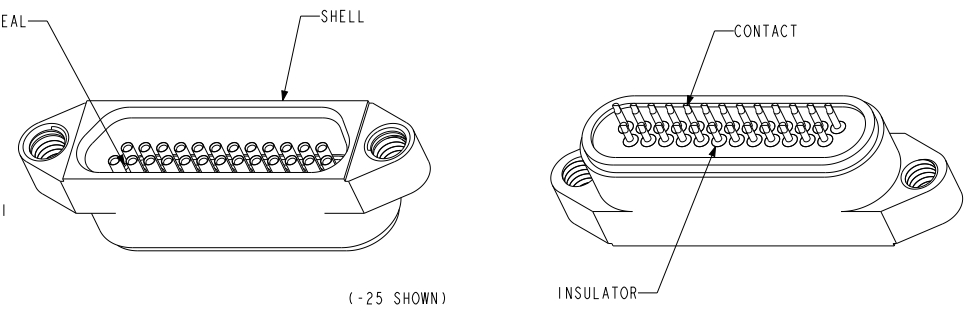
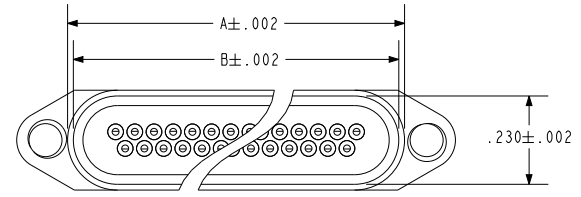
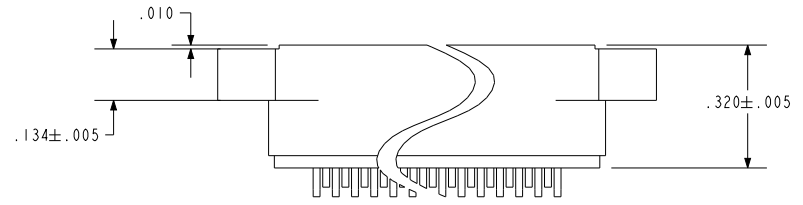
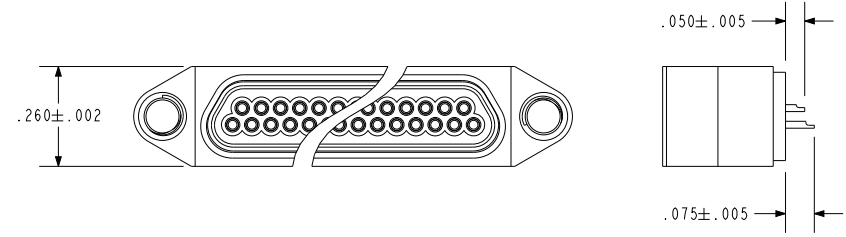
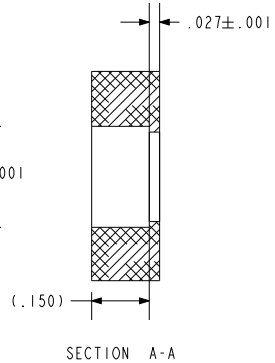
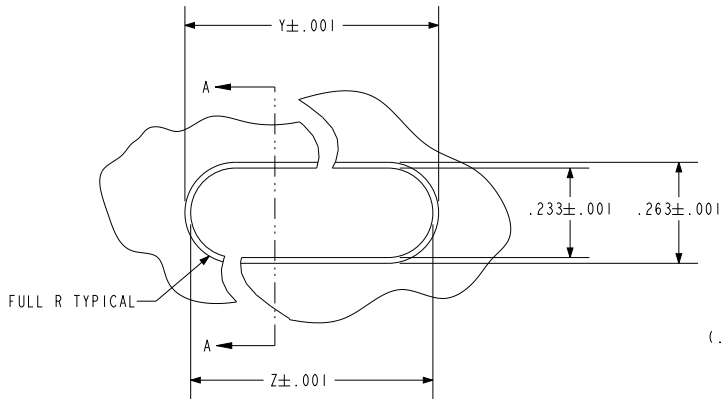


NOTES:

1. HOLES AND INTERFACE DIMENSIONS PER MIL-PRF-83513/2.
2. MATEABLE WITH CONNECTORS MANUFACTURED PER MIL-PRF-83513/1 AND MIL-PRF-83513/3.
3. DESIGNED TO BE SOLDERED INTO COMPATIBLE HOUSINGS.
4. HERMETIC LEAK RATE: LESS THAN OR EQUAL TO  $1 \times 10^{-9}$  CC/SEC He AT 1 ATM DIFFERENTIAL PRESSURE.
5. ELECTRICAL REQUIREMENTS:  
 INSULATION RESISTANCE: GREATER THAN 5,000 MEGOHMS AT  $500 \pm 10\%$  VDC AT 25°C WHEN TESTED IAW MIL-STD-1344, METHOD 3003.  
 DIELECTRIC WITHSTANDING VOLTAGE: MUST SHOW NO EVIDENCE OF BREAKDOWN OR FLASHOVER WHEN SUBJECTED TO 600 VAC RMS 60Hz IAW MIL-STD-1344, METHOD 3001. DURATION OF APPLICATION TO BE 1 SEC MIN.
6. MATERIALS:  
 SHELL: 304L STAINLESS STEEL  
 CONTACTS: BERYLLIUM-COPPER IAW ASTM B196 OR ASTM B197.  
 INSULATORS: KRYOFLEX 313 PROPRIETARY POLYCRYSTALLINE CERAMIC.  
 INTERFACIAL SEAL: FLUOROSILICONE RUBBER IAW MIL-R-25988, CLASS I, TYPE II, GRADE 60.
7. FINISH: CONTACTS & SHELL  
 ELECTROLYTIC NICKEL PLATE IAW QQ-N-290, .000100/.000250 THICK.  
 GOLD PLATE IAW ASTM B488, TYPE II, CODE C OR MIL-G-45204, TYPE II, GRADE C, .000100/.000250 THICK.
8. ORDERING INFORMATION:  
 PLEASE SPECIFY ACCORDING TO THE FOLLOWING



NUMBER OF CONTACTS	A	B	Y	Z
9	.450	.420	.453	.423
15	.600	.570	.603	.573
21	.750	.720	.753	.723
25	.850	.820	.853	.823
31	1.000	.970	1.003	.973
37	1.150	1.120	1.150	1.123



**PACAE**  
 A Division of  
**HERMETIC SOLUTIONS**  
 Quality. Reliability. Performance.

434 Olds Station Rd. Wenatchee WA 98801

WWW.PACAERO.COM

TITLE: CONNECTOR, MICRO-D, S.S.T. SOLDER-IN

THIRD ANGLE PROJECTION  
  
 CAGE CODE: 64567

VERSION: A.1  
 RELEASE DATE: 01-22-08

SALES DRAWING

SHEET: 1 OF 1

DOCUMENT: 0-92555