

NOTES:

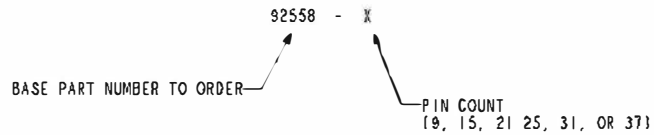
- HOLES AND INTERFACE DIMENSIONS PER MIL-PRF-83513/2.
- MATEABLE WITH CONNECTORS MANUFACTURED PER MIL-PRF-83513/1 AND MIL-PRF-83513/3.
- DESIGNED TO BE LASER WELDED TO A COMPATIBLE STAINLESS STEEL HOUSING.
- HERMETIC LEAK RATE: LESS THAN OR EQUAL TO 1×10^{-9} CC/SEC H_2 AT 1 ATM DIFFERENTIAL PRESSURE.
- ELECTRICAL REQUIREMENTS:
 - INSULATION RESISTANCE: GREATER THAN 5,000 MEGOHMS AT $500 \pm 10\%$ VDC AT $25^\circ C$ WHEN TESTED IAW MIL-STD-1344, METHOD 3003.
 - DIELECTRIC WITHSTANDING VOLTAGE: MUST SHOW NO EVIDENCE OF BREAKDOWN OR FLASHOVER WHEN SUBJECTED TO 600 VAC RMS 60Hz IAW MIL-STD-1344, METHOD 3001. DURATION OF APPLICATION TO BE 1 SEC MIN.

6. MATERIALS:

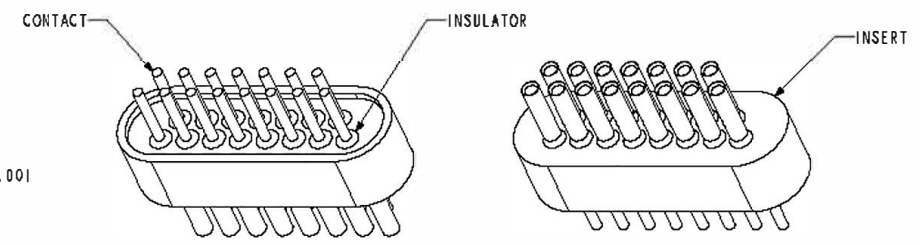
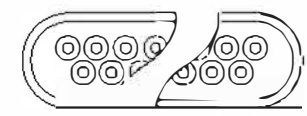
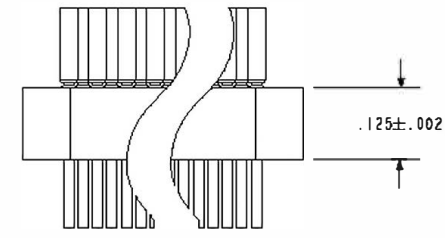
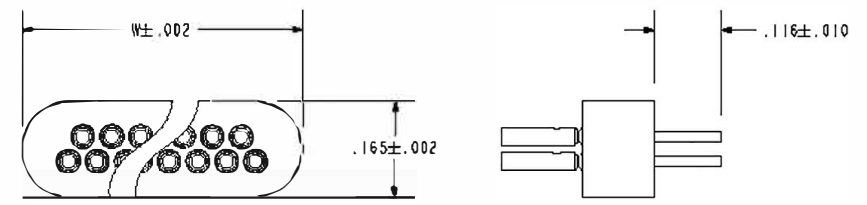
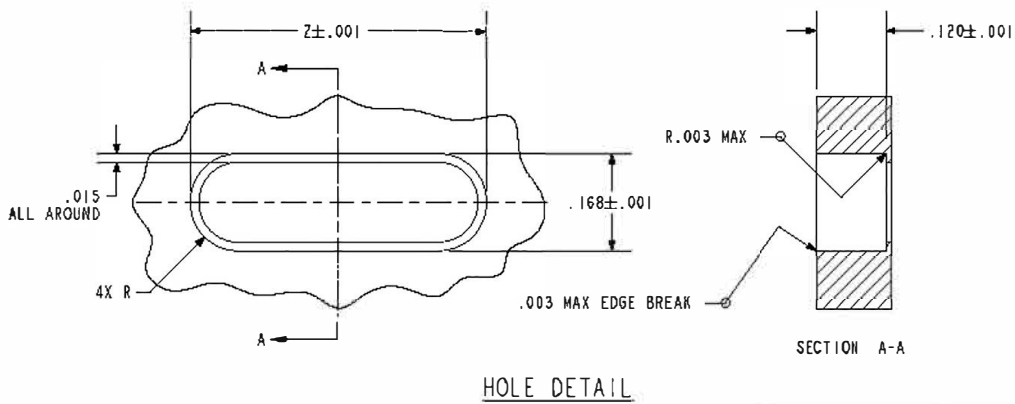
INSERT: 304L STAINLESS STEEL IAW QQ-S-763.
 CONTACTS: BERYLLIUM-COPPER IAW ASTM B196 OR ASTM B197.
 INSULATORS: KRYOFLEX 313 PROPRIETARY POLYCRYSTALLINE CERAMIC.

7. ORDERING INFORMATION:

PLEASE SPECIFY ACCORDING TO THE FOLLOWING



NUMBER OF CONTACTS	W	Z
9	.360	.363
15	.510	.513
21	.660	.663
25	.760	.763
31	.910	.913
37	1.060	1.063



PA&E
The Hermetic Advantage

A Division of
HERMETIC SOLUTIONS
Enabling Technology

434 Olds Station Rd. Wenatchee WA 98801

WWW.PACAERO.COM

TITLE: CONNECTOR, INSERT, MICRO-D, STAINLESS STEEL-COMPATIBLE	THIRD ANGLE PROJECTION
CASE CODE: 64567	DOCUMENT: 01121

VERSION: C.1	RELEASE DATE: 11-21-13	SALES DRAWING	I.000	SHEET: 1 OF 1
--------------	------------------------	----------------------	-------	---------------