

NOTES:

1. HOLES AND INTERFACE DIMENSIONS PER MIL-PRF-83513/2.
2. MATEABLE WITH CONNECTORS MANUFACTURED PER MIL-PRF-83513/1 AND MIL-PRF-83513/3.
3. DESIGNED FOR LASER WELDING TO AN ALUMINUM HOUSING.
4. HERMETIC LEAK RATE: LESS THAN OR EQUAL TO 1×10^{-9} CC/SEC He AT 1 ATM DIFFERENTIAL PRESSURE.
5. ELECTRICAL REQUIREMENTS:
 - INSULATION RESISTANCE: GREATER THAN 5,000 MEGOHMS AT $500 \pm 10\%$ VDC AT 25°C WHEN TESTED IAW MIL-STD-1344, METHOD 3003.
 - DIELECTRIC WITHSTANDING VOLTAGE: MUST SHOW NO EVIDENCE OF BREAKDOWN OR FLASHOVER WHEN SUBJECTED TO 600 VAC RMS 60Hz IAW MIL-STD-1344, METHOD 3001. DURATION OF APPLICATION TO BE 1 SEC MIN.
6. MATERIALS:
 - WELD FLANGE: 4XXX-SERIES ALUMINUM.
 - CONTACTS: BERYLLIUM-COPPER IAW ASTM B196 OR ASTM B197.
 - INSULATORS: KRYOFLEX 313 PROPRIETARY POLYCRYSTALLINE CERAMIC.
 - INTERFACIAL SEAL: FLUOROSILICONE RUBBER IAW MIL-R-25988, CLASS 1, TYPE II, GRADE 60.
 - HELICAL INSERTS: 300-SERIES STAINLESS STEEL.
 - WIRE: 26 AWG PER M22759.
7. FINISH:
 - CONTACTS: ELECTROLYTIC NICKEL PLATE IAW QQ-N-290, .000100/.000250 THICK.
 - GOLD PLATE IAW ASTM-B488, TYPE III, CODE A, .000100/.000250 THICK.
 - SHELL: CHEMICAL CONVERSION COAT IAW MIL-C-5541, CLASS IA.
8. ORDERING INFORMATION:
 - PLEASE SPECIFY ACCORDING TO THE FOLLOWING: 92716 - X

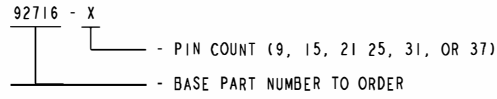
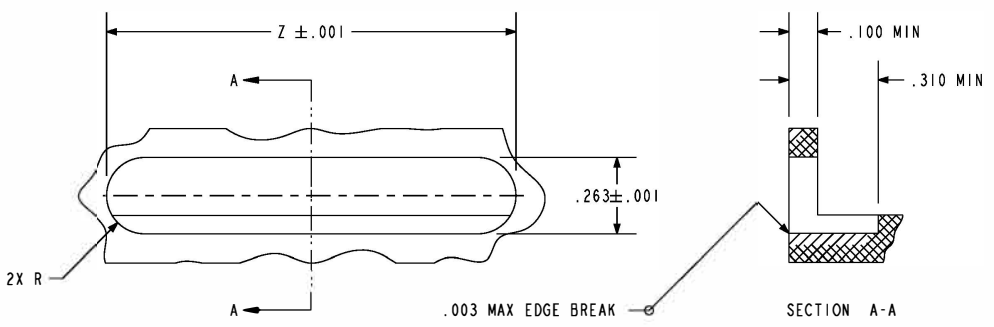
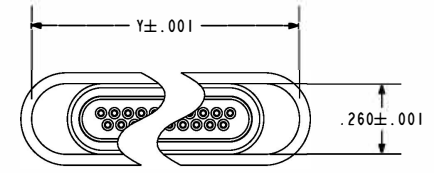
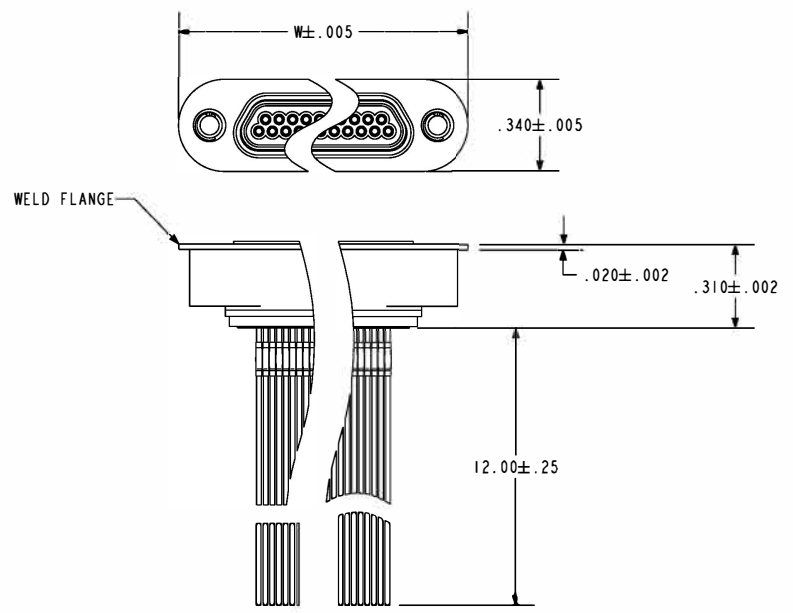
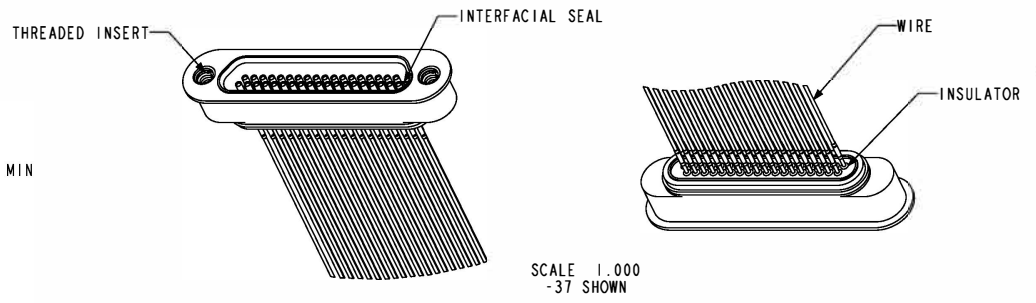


TABLE I			
NUMBER OF CONTACTS	W	Y	Z
9	.795	.715	.718
15	.945	.865	.868
21	1.095	1.015	1.018
25	1.195	1.115	1.118
31	1.345	1.265	1.268
37	1.495	1.415	1.418



HOLE DETAIL



PA&E
The Hermetic Advantage
 A Division of
HERMETICSOLUTIONS
Pushing Technology
 434 Olds Station Rd. Wenatchee WA 98801

WWW.PACAERO.COM

TITLE: HOLE DETAIL, LOW PROFILE FLANGED WIRED MICRO-D CONNECTOR		THIRD ANGLE PROJECTION	
VERSION P.-		CAGE CODE: 64567	
RELEASE DATE: 01-12-11		SHEET: 1 OF 1	
SALES DRAWING		DOCUMENT: 0-92716	