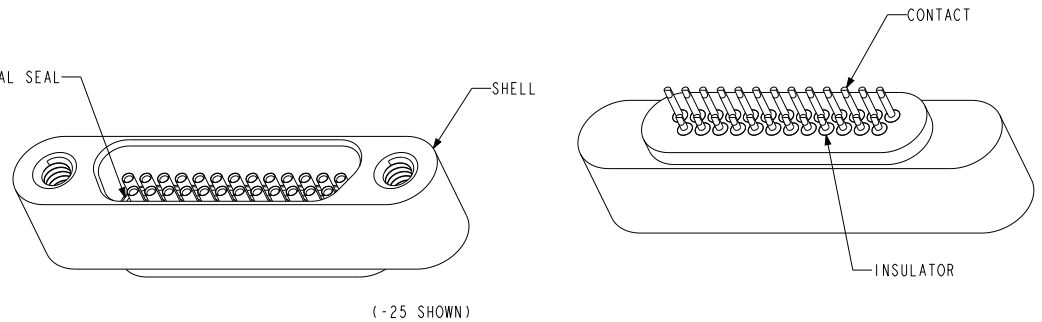
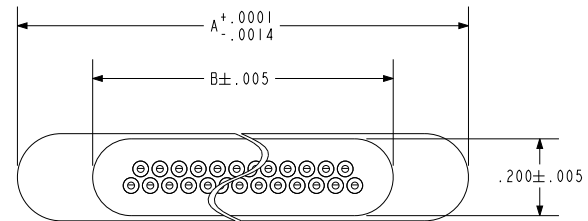
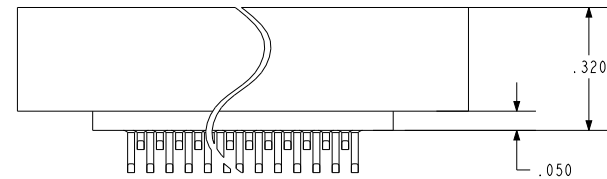
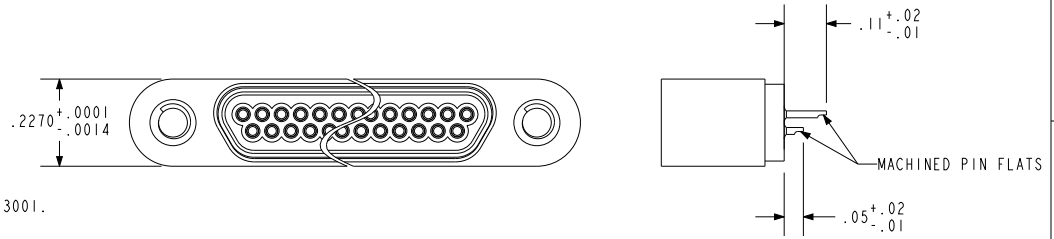
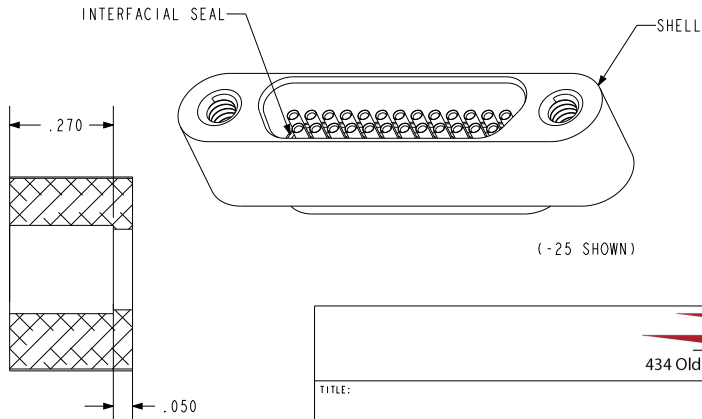
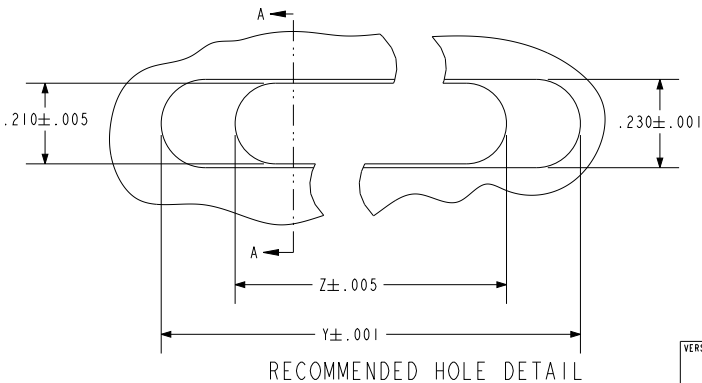


NOTES:

- HOLES AND INTERFACE DIMENSIONS PER MIL-PRF-83513/2.
- MATEABLE WITH CONNECTORS MANUFACTURED PER MIL-PRF-83513/1 AND MIL-PRF-83513/3.
- DESIGNED TO BE SOLDERED INTO COMPATIBLE HOUSINGS.
- HERMETIC LEAK RATE: LESS THAN OR EQUAL TO 1×10^{-9} CC/SEC He AT 1 ATM DIFFERENTIAL PRESSURE.
- ELECTRICAL REQUIREMENTS:
 INSULATION RESISTANCE: GREATER THAN 5,000 MEGOHMS AT $500 \pm 10\%$ VDC AT 25°C WHEN TESTED IAW MIL-STD-1344, METHOD 3003.
 DIELECTRIC WITHSTANDING VOLTAGE: MUST SHOW NO EVIDENCE OF BREAKDOWN OR FLASHOVER WHEN SUBJECTED TO 600 VAC RMS 60Hz IAW MIL-STD-1344, METHOD 3001. DURATION OF APPLICATION TO BE 1 SEC MIN.
- MATERIALS:
 SHELL: 304L STAINLESS STEEL
 CONTACTS: BERYLLIUM-COPPER IAW ASTM B196 OR ASTM B197.
 INSULATORS: KRYOFLEX 313 PROPRIETARY POLYCRYSTALLINE CERAMIC.
 INTERFACIAL SEAL: FLUOROSILICONE RUBBER IAW MIL-R-25988, CLASS I, TYPE II, GRADE 60.
- FINISH: CONTACTS & SHELL
 ELECTROLYTIC NICKEL PLATE IAW QQ-N-290, .000100/.000250 THICK.
 GOLD PLATE IAW ASTM B488, TYPE III, CODE A OR MIL-G-45204, TYPE III, GRADE A, .000050/.000100 THICK.
- PIN FLATS
 MACHINED PIN FLATS SHALL BE .015 MIN. LONG X .010 MIN. WIDE.
- ORDERING INFORMATION:
 PLEASE SPECIFY ACCORDING TO THE FOLLOWING

BASE PART NUMBER \swarrow 92873 - X \nwarrow PIN COUNT
 (9, 15, 21, 25, 31, OR 37)

NUMBER OF CONTACTS	A	B	Y	Z
9	.792	.400	.453	.423
15	.942	.550	.603	.573
21	1.092	.700	.753	.723
25	1.192	.800	.853	.823
31	1.342	.950	1.003	.973
37	1.492	1.100	1.150	1.123

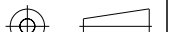


PACAE
 A Division of
HERMETIC SOLUTIONS
 The Hermetic Association
 434 Olds Station Rd. Wenatchee WA 98801

WWW.PACAERO.COM

TITLE: CONNECTOR, MICRO-D, SOLDER MOUNT

THIRD ANGLE PROJECTION



CAGE CODE: 64567

VERSION: E.1
 RELEASE DATE: 01-23-08

SALES DRAWING

SHEET: 1 OF 1

DOCUMENT: 0-92873