

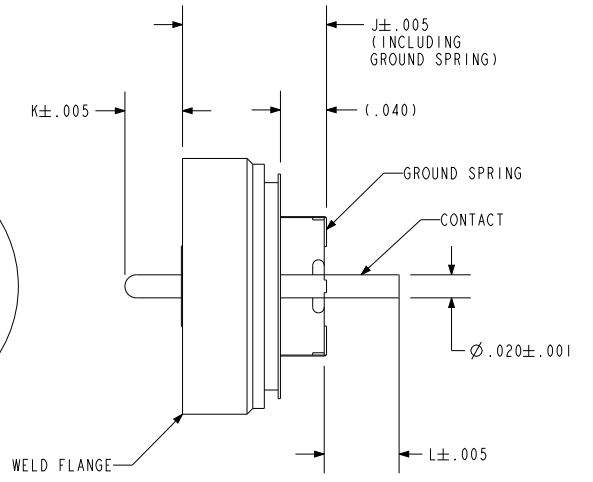
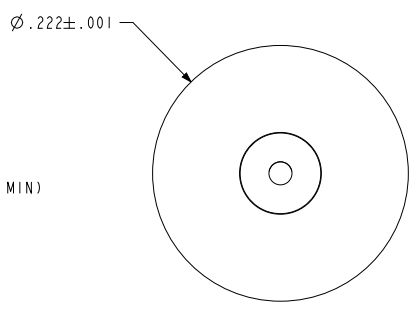
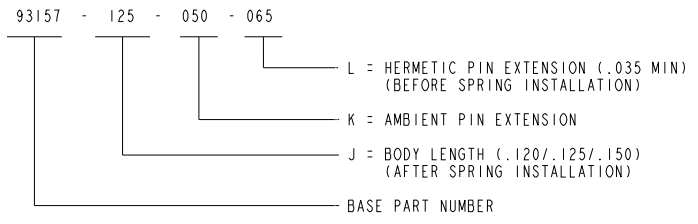
NOTES:

- 1. HERMETIC LEAK RATE: LESS THAN OR EQUAL TO 1×10^{-9} CC/SEC He AT 1 ATM DIFFERENTIAL PRESSURE.
- 2. NOMINAL IMPEDANCE: 50 OHMS.
- 3. INSULATION RESISTANCE: 5000 MEGOHMS MINIMUM.
- 4. DESIGNED TO BE LASER WELDED INTO TITANIUM HOUSINGS.

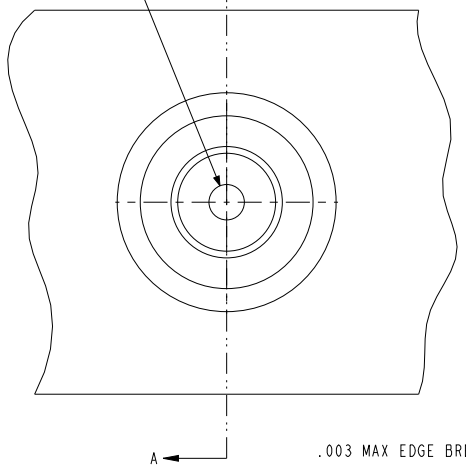
5. MATERIALS:
 WELD FLANGE: TITANIUM GRADE 1 OR 2.
 CONTACT: KOVAR IAW ASTM-F15 OR MIL-1-23011.
 INSULATOR: 7070 CORNING GLASS OR EQUIVALENT.
 GROUND SPRING: S.S.T. IAW ASTM-A276 OR QQ-S-763.

6. FINISH:
 NICKEL PLATE IAW ASTM B733, TYPE 1, CLASS 4, .000100/.000250 THICK.
 GOLD PLATE IAW ASTM B488, TYPE III, CODE A, .000050/.000150 THICK.
 WELD FLANGE: CONVERSION COATED IAW MIL-C-5541, CL 1A

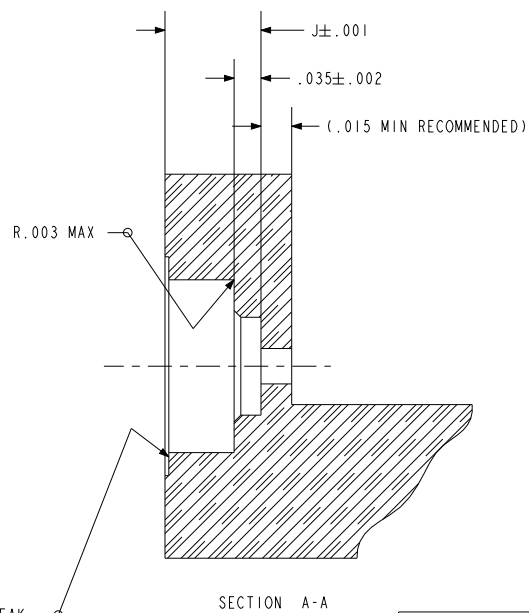
7. ORDERING INFORMATION:
 PLEASE SPECIFY ACCORDING TO THE FOLLOWING:



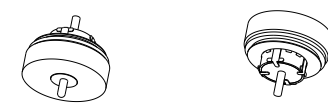
- $\varnothing .0461 \pm .0010$ THRU
- $\varnothing .1275 \pm .0005$ ∇ SHOWN
- $\varnothing .145 \times 90^\circ \pm 5^\circ$
- $\varnothing .225 \pm .001$ ∇ SHOWN
- $\varnothing .285 \nabla .005 \pm .002$



HOLE DETAIL
 (WITH AIR DIELECTRIC)
 SCALE 4.000



SECTION A-A

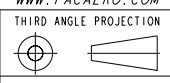


SCALE 2.000

PACERO
 The Plasmaic Advantage
 A Division of
HERMETIC SOLUTIONS
 Leading Technology
 434 Olds Station Rd. Wenatchee WA 98801

WWW.PACAERO.COM

TITLE:
 ALUMINUM LASER WELDABLE .020 FLANGE MOUNT RF CONNECTOR



VERSION: C.0
 RELEASE DATE: 01-24-08

SALES DRAWING

SHEET: 1 OF 1

DOCUMENT: 0-93157