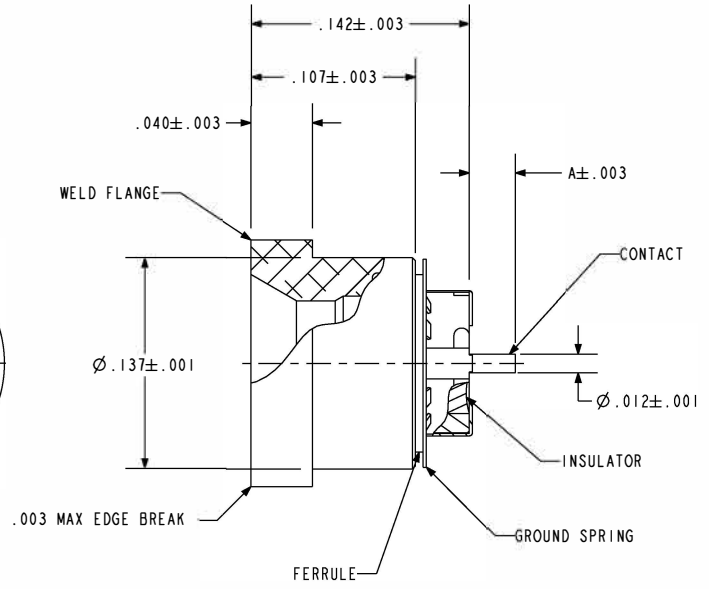
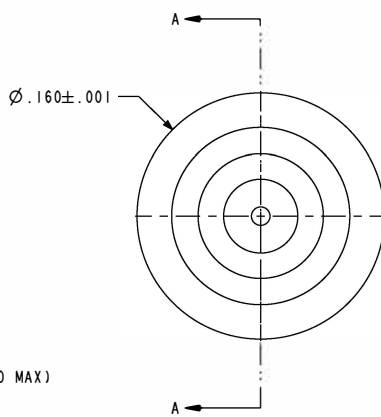
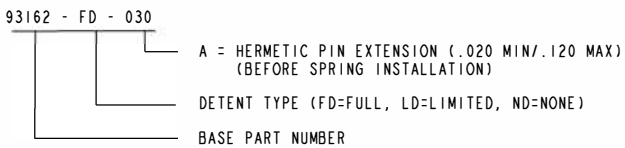
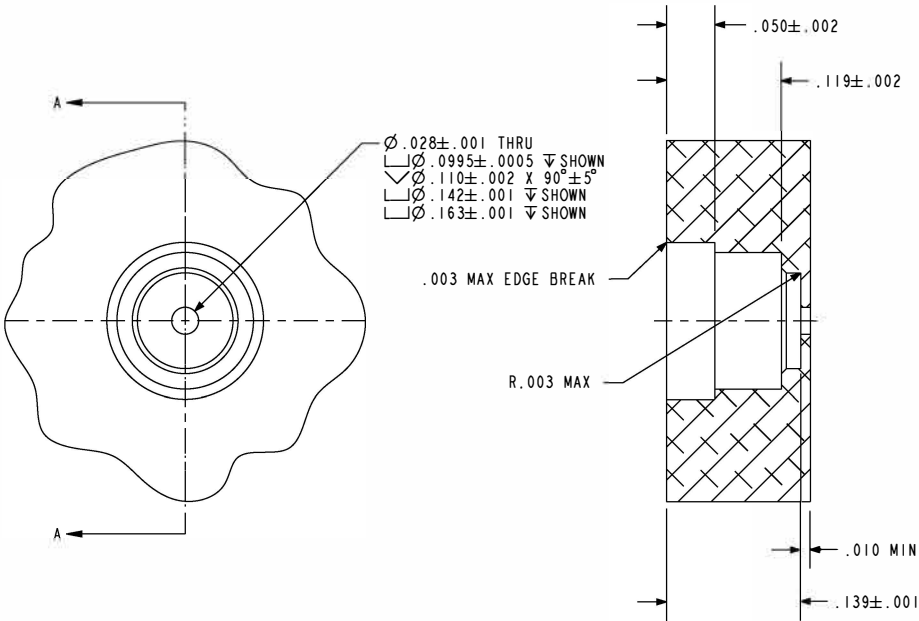


NOTES:

1. INTERFACE PER MIL-STD-348.
2. HERMETIC LEAK RATE: LESS THAN OR EQUAL TO  $1 \times 10^{-9}$  CC/SEC He AT 1 ATM DIFFERENTIAL PRESSURE.
3. NOMINAL IMPEDANCE: 50 OHMS.
4. DIELECTRIC WITHSTANDING VOLTAGE: 500VAC RMS MIN. @ SEA LEVEL.
5. INSULATION RESISTANCE: 5000 MEGOHMS MINIMUM.
6. DESIGNED TO BE LASER WELDED INTO ALUMINUM HOUSINGS.
7. MATERIALS:  
 WELD FLANGE: 4XXX SERIES ALUMINUM.  
 FERRULE: Ni/Fe/Co (KOVAR) IAW ASTM-F15 OR MIL-I-23011.  
 CONTACT: Ni/Fe/Co (KOVAR) IAW ASTM-F15 OR MIL-I-23011.  
 INSULATOR: 7070 CORNING GLASS OR EQUIVALENT.  
 GROUND SPRING: FULL HARD 302 S.ST. IAW ASTM-A276 OR 304L S.ST. IAW QQ-S-763.
8. FINISH: PIN, FERRULE AND SHELL  
 NICKEL PLATE IAW ASTM B733, TYPE I, CLASS I, .000100/.000250 THICK.  
 GOLD PLATE IAW ASTM B488, TYPE I, CODE A, .000050/.000150 THICK.
9. ORDERING INFORMATION:  
 PLEASE SPECIFY ACCORDING TO THE FOLLOWING:

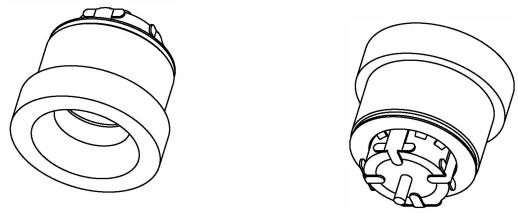


SECTION A-A



HOLE DETAIL  
SCALE 5.000

SECTION A-A



SCALE 5.000

		A Division of <b>HERMETIC SOLUTIONS</b> <small>Enabling Technology</small>	
434 Olds Station Rd. Wenatchee WA 98801			
TITLE: <b>CONNECTOR, LLWP, ALUMINUM COMPATIBLE</b>		WWW.PACAERO.COM THIRD ANGLE PROJECTION 	
VERSION: F.1 RELEASE DATE: 01-06-11		SHEET: 1 OF 1 DOCUMENT: 0-93162	
<b>SALES DRAWING</b>		pro/ENGINEER	