

NOTES:

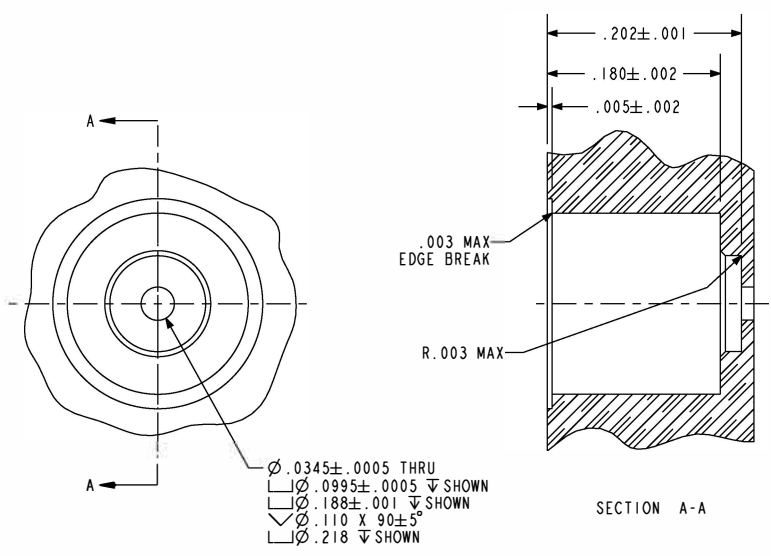
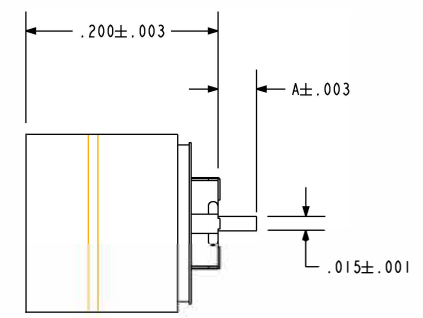
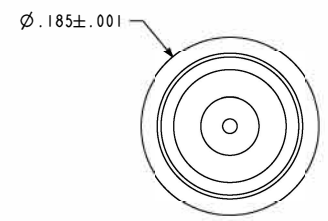
1. HERMETIC LEAK RATE: LESS THAN OR EQUAL TO  $1 \times 10^{-9}$  CC/SEC He AT 1 ATM DIFFERENTIAL PRESSURE.
2. INTERFACE DIMENSIONS PER MIL-STD-348.
3. NOMINAL IMPEDANCE: 50 OHMS.
4. DIELECTRIC WITHSTANDING VOLTAGE: 500VAC RMS MIN. @ SEA LEVEL.
5. INSULATION RESISTANCE: 5000 MEGOHMS MINIMUM.
6. DESIGNED TO BE LASER WELDED TO TITANIUM.
7. MATERIALS:  
 SHELL: EXPLOSION BONDED TITANIUM TO 304L S.ST.  
 FERRULE: KOVAR IAW ASTM-F15 OR MIL-I-23011.  
 CONTACT: KOVAR IAW ASTM-F15 OR MIL-I-23011.  
 INSULATOR: 7070 CORNING GLASS OR EQUIVALENT.  
 GROUND SPRING: FULL HARD 302 S.ST. IAW ASTM-A276 OR 304L S.ST. IAW QQ-S-763.
8. FINISH: PIN AND FERRULE  
 NICKEL PLATE IAW MIL-C-26074, .000100/.000250 THICK.  
 GOLD PLATE IAW MIL-C-45204, TYPE III, GRADE A, .000050/.000150 THICK.
9. ORDERING INFORMATION:  
 PLEASE SPECIFY ACCORDING TO THE FOLLOWING:

EXAMPLE: 93166 - FD - 045

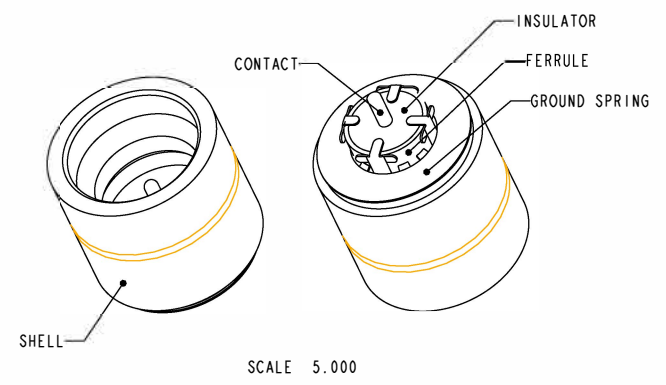
└── A = PIN EXTENSION (.020 MIN/.120 MAX)

└── FD = FULL DETENT, LD = LIMITED DETENT, ND = NO DETENT

└── BASE PART NUMBER



SUGGESTED HOLE DETAIL



**PACERO**  
 The Hermetic Advantage  
 A Division of  
**HERMETIC SOLUTIONS**  
 Quality Advantage  
 434 Olds Station Rd. Wenatchee WA 98801

WWW.PACERO.COM

TITLE:	THIRD ANGLE PROJECTION
CONNECTOR, LWP, TITANIUM COMPATIBLE (.015 DIA PIN)	
CAGE CODE: 64567	

VERSION	RELEASE DATE:
F.0	09-17-12

**SALES DRAWING**

SHEET:	DOCUMENT:
1 OF 1	0-93166