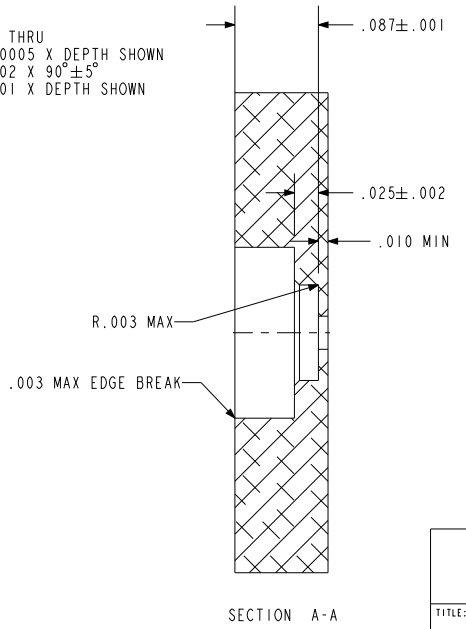
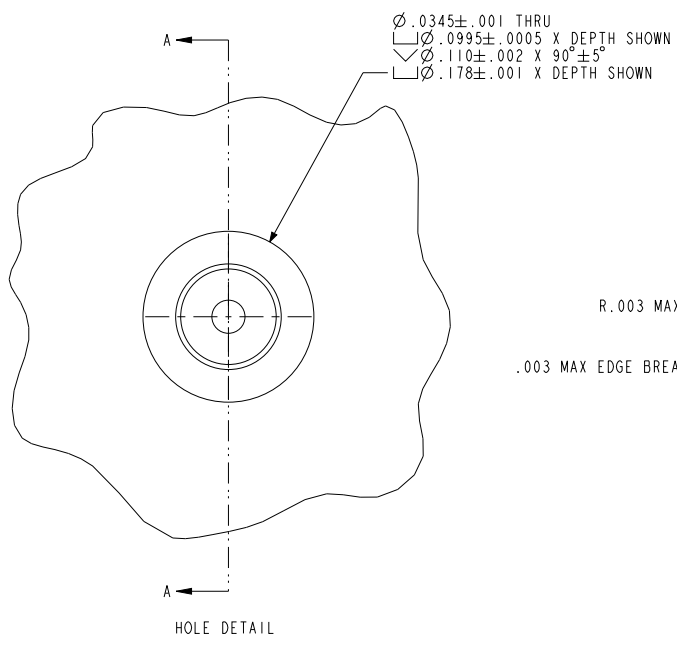
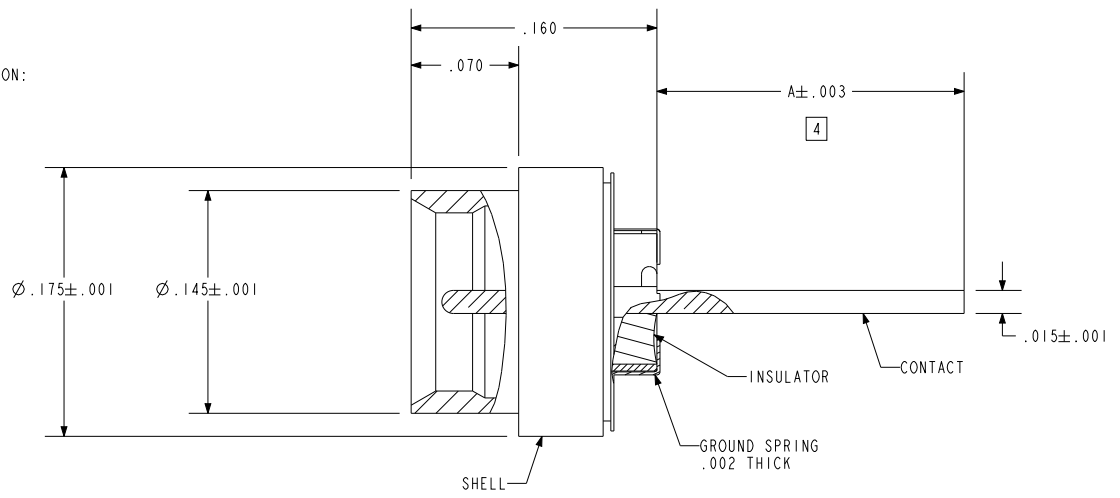
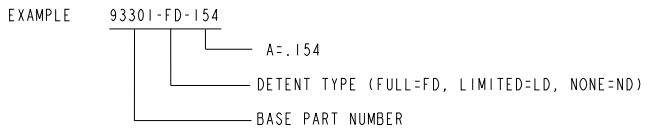


NOTES:

1. HERMETIC LEAK RATE: $<= 1 \times 10^{-9}$ CC/SEC He AT 1 ATM DIFFERENTIAL PRESSURE.
2. GLASS SEAL AND PIN SHEARED END SHALL CONFORM TO MIL-STD-883, METHOD 2009.
3. IMPEDANCE: 50 OHMS NOMINAL.
4. CUT PIN TO DIMENSION A AS INDICATED BY PART NUMBER.
5. FINISH REQUIREMENTS (PIN AND BODY):
 Ni PLATE IAW ASTM B733, TYPE I, CLASS 4, .000100/.000250 THK.
 Au PLATE IAW ASTM B488, TYPE III, CODE A, .000075/.000150 THK.
6. ORDERING INFORMATION:
 PART NUMBER IS DEFINED BY BASE NUMBER, DETENT TYPE AND HERMETIC PIN EXTENSION:



PACERO
 The Hermetic Advantage

A Division of
HERMETIC SOLUTIONS
 Leading Technology

434 Olds Station Rd. Wenatchee WA 98801

WWW.PACERO.COM

THIRD ANGLE PROJECTION

CAGE CODE: 64567

TITLE: CONNECTOR, LWP, FLANGED, TITANIUM COMPATIBLE

VERSION: C.0
 RELEASE DATE: 01-25-08

SALES DRAWING

SHEET: 1 OF 1

DOCUMENT: 0-93301