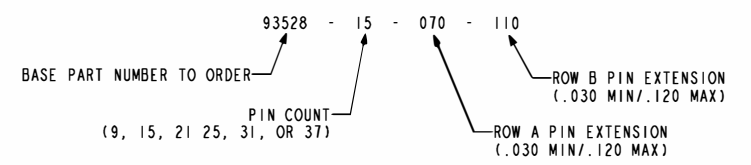


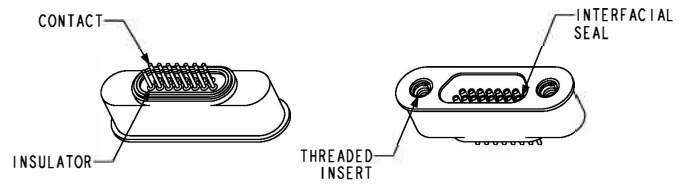
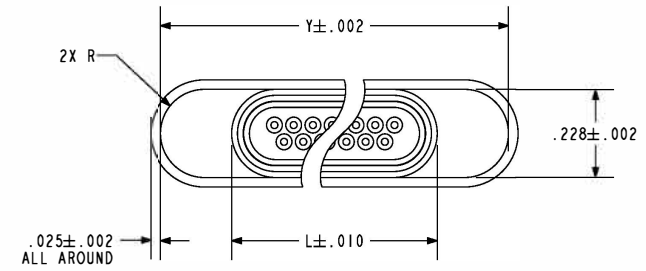
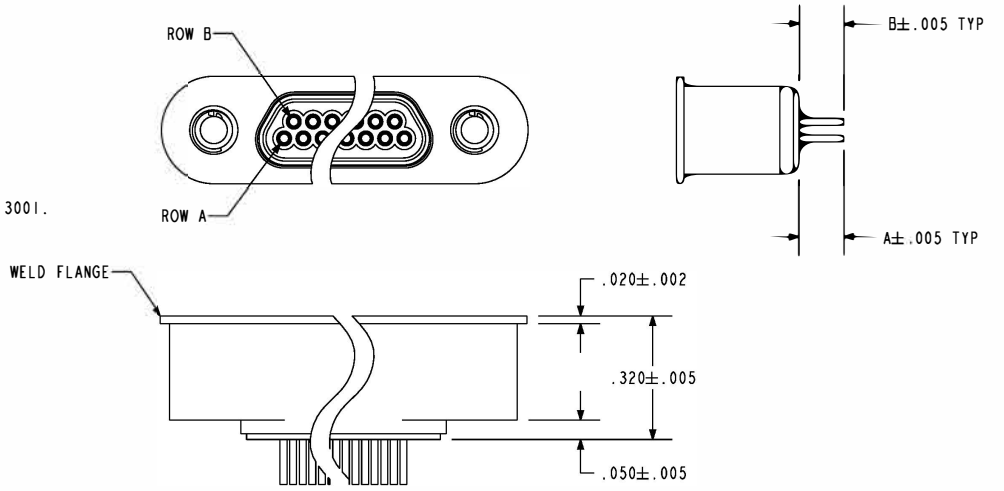
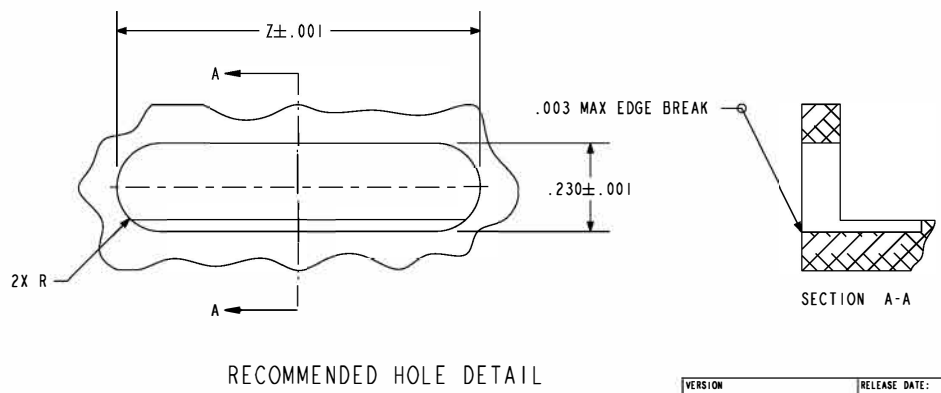
NOTES:

- HOLES AND INTERFACE DIMENSIONS PER MIL-PRF-83513/2.
- MATEABLE WITH CONNECTORS MANUFACTURED PER MIL-PRF-83513/1 AND MIL-PRF-83513/3.
- DESIGNED TO BE LASER WELDED TO AN ALUMINUM HOUSING.
- HERMETIC LEAK RATE: LESS THAN OR EQUAL TO 1×10^{-9} CC/SEC He AT 1 ATM DIFFERENTIAL PRESSURE.
- ELECTRICAL REQUIREMENTS:
 - INSULATION RESISTANCE: GREATER THAN 5,000 MEGOHMS AT $500 \pm 10\%$ VDC AT 25°C WHEN TESTED IAW MIL-STD-1344, METHOD 3003.
 - DIELECTRIC WITHSTANDING VOLTAGE: MUST SHOW NO EVIDENCE OF BREAKDOWN OR FLASHOVER WHEN SUBJECTED TO 600 VAC RMS 60Hz IAW MIL-STD-1344, METHOD 3001. DURATION OF APPLICATION TO BE 1 SEC MIN.
- MATERIALS:
 - WELD FLANGE: 4XXX SERIES ALUMINUM.
 - CONTACTS: BERYLLIUM-COPPER IAW ASTM B196 OR ASTM B197.
 - INSULATORS: KRYOFLEX 313 PROPRIETARY POLYCRYSTALLINE CERAMIC.
 - INTERFACIAL SEAL: FLUOROSILICONE RUBBER IAW MIL-R-25988, CLASS I, TYPE II, GRADE 60.
 - THREADED INSERTS: 304L STAINLESS STEEL
- FINISH:
 - CONTACTS: ELECTROLYTIC NICKEL PLATE IAW QQ-N-290, .000100/.000250 THICK.
 - GOLD PLATE IAW ASTM B488, TYPE III, GRADE A OR MIL-G-45204, TYPE III, GRADE A, .000050/.000100 THICK.
- ORDERING INFORMATION:

PLEASE SPECIFY ACCORDING TO THE FOLLOWING



NUMBER OF CONTACTS	Y	Z	L
9	.792	.795	.422
15	.942	.945	.572
21	1.092	1.095	.722
25	1.192	1.195	.822
31	1.342	1.345	.972
37	1.492	1.495	1.122



SCALE 1.000
93528-15 SHOWN

PA&E The Helvac® Advantage A Division of **HERMETIC SOLUTIONS** Building Technology

434 Olds Station Rd. Wenatchee WA 98801 WWW.PACAERO.COM

TITLE: CONNECTOR, MICRO-D, AL-COMPATIBLE, FLANGED, LOW-PROFILE

VERSION: A.0 RELEASE DATE: 12-06-12

SHEET: 1 OF 1 DOCUMENT: 0-93528

pro/ENGINEER