

NOTES:

- INTERFACE PER MIL-STD-348.
- HERMETIC LEAK RATE: LESS THAN OR EQUAL TO 1×10^{-9} CC/SEC He AT 1 ATM DIFFERENTIAL PRESSURE.
- NOMINAL IMPEDANCE: 50 OHMS.
- INSULATION RESISTANCE: 5000 MEGOHMS MINIMUM.
- DESIGNED TO BE LASER WELDED TO ALUMINUM ALLOY 6061 HOUSINGS.
- MATERIALS:
SHELL: 4XXX SERIES ALUMINUM
CONTACT: KOVAR 1AW ASTM-F15 OR MIL-1-23011.
FERRULE: KOVAR 1AW ASTM-F15 OR MIL-1-23011.
INSULATOR: 7070 CORNING GLASS OR EQUIVALENT.
GROUND SPRING: S.S.T. 1AW ASTM-A276 OR QQ-S-763.
- FINISH:
PIN
NICKEL PLATE 1AW QQ-N-290 .000100/.000250 THICK.
GOLD PLATE 1AW ASTM-B-488, TYPE III, CODE A, .000100/.000150 THICK.

FERRULE
NICKEL PLATE 1AW QQ-N-290 .000100/.000250 THICK.
GOLD PLATE 1AW ASTM-B-488, TYPE III, CODE A, .000100/.000150 THICK.

SHELL (-PL ONLY)
NICKEL PLATE 1AW QQ-N-290 .000100/.000250 THICK.
GOLD PLATE 1AW ASTM-B-488, TYPE III, CODE A, .000050/.000100 THICK.
NO PLATING ON ALUMINUM LASER WELD SURFACES

8. ORDERING INFORMATION:
PLEASE SPECIFY ACCORDING TO THE FOLLOWING:

EXAMPLE: 93734 - FD - 045 - PL

PL = PLATED SHELL (BLANK IS A NON-PLATED SHELL)
A = PIN EXTENSION (.020 MIN/.120 MAX)
FD = FULL DETENT, LD = LIMITED DETENT, ND = NO DETENT
BASE PART NUMBER

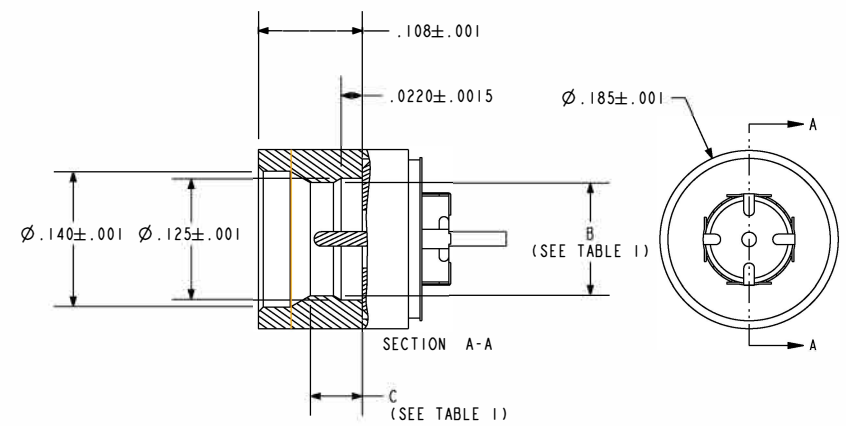
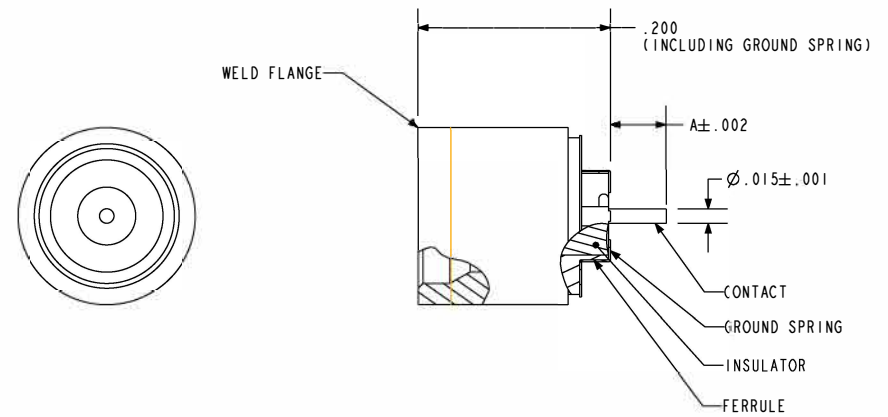
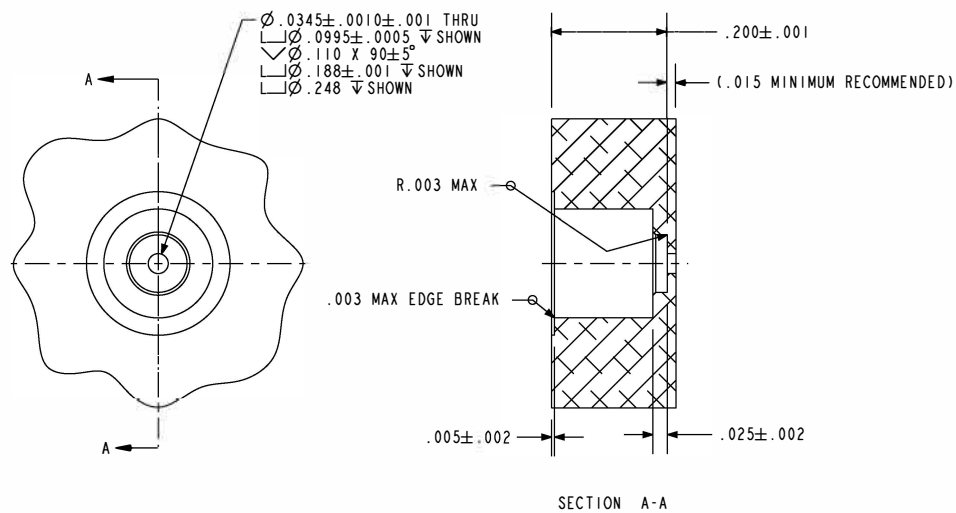


TABLE I		
DETENT TYPE	DIMENSION B	DIMENSION C
FULL DETENT	.116	.054
LIMITED DETENT	.120	.057
NO DETENT	.125	.062



PA&E A Division of **HERMETIC SOLUTIONS**
The Hermetic Association

434 Olds Station Rd. Wenatchee WA 98801

WWW.PACAERO.COM

TITLE: CONNECTOR, LWP (.015 DIA. PIN), ALUMINUM COMPATIBLE

THIRD ANGLE PROJECTION

CAGE CODE: 64567

SALES DRAWING

SHEET: 1 OF 1

DOCUMENT: 0-93734

VERSION: 1.1

RELEASE DATE: 01-06-11

pro/ENGINEER