

NOTES:

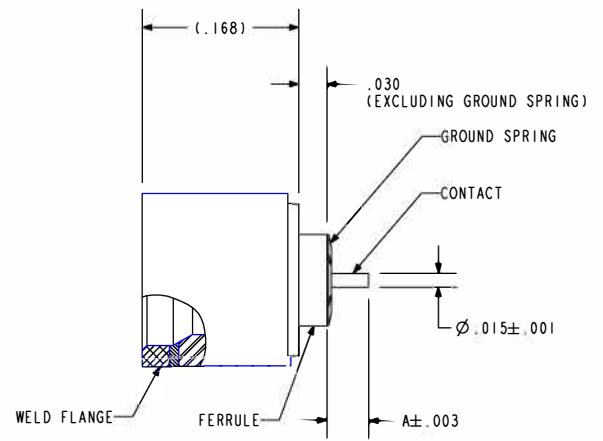
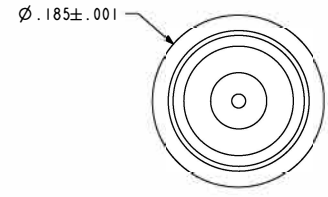
1. HERMETIC LEAK RATE: LESS THAN OR EQUAL TO 1×10^{-9} CC/SEC He AT 1 ATM DIFFERENTIAL PRESSURE.
2. NOMINAL IMPEDANCE: 50 OHMS.
3. INSULATION RESISTANCE: 5000 MEGOHMS MINIMUM.
4. DESIGNED TO BE LASER WELDED TO ALUMINUM ALLOY 6061 HOUSINGS.
5. MATERIALS:
 WELD FLANGE: 4000 SERIES ALUMINUM
 CONTACT: KOVAR IAW ASTM-F15 OR EQUIVALENT.
 INSULATOR: 7070 CORNING GLASS OR EQUIVALENT.
 GROUND SPRING: BeCu 173/174 IAW ASTM-B194, TD04.
6. FINISH: CONTACT, BODY AND GROUND SPRING:
 NICKEL PLATE IAW ASTM B733, TYPE 1, CLASS 1, OR EQUIVALENT, .000100/.000250 THICK.
 GOLD PLATE IAW ASTM B488, TYPE III, CODE A, OR EQUIVALENT, .000050/.000150 THICK.
 WELD FLANGE: CONVERSION COATED IAW MIL-C-5541, CL 1A
7. GROUND SPRING SHIPPED LOOSE AND UNATTACHED.
8. ORDERING INFORMATION:
 PLEASE SPECIFY ACCORDING TO THE FOLLOWING:

EXAMPLE: 93829 - FD - 045

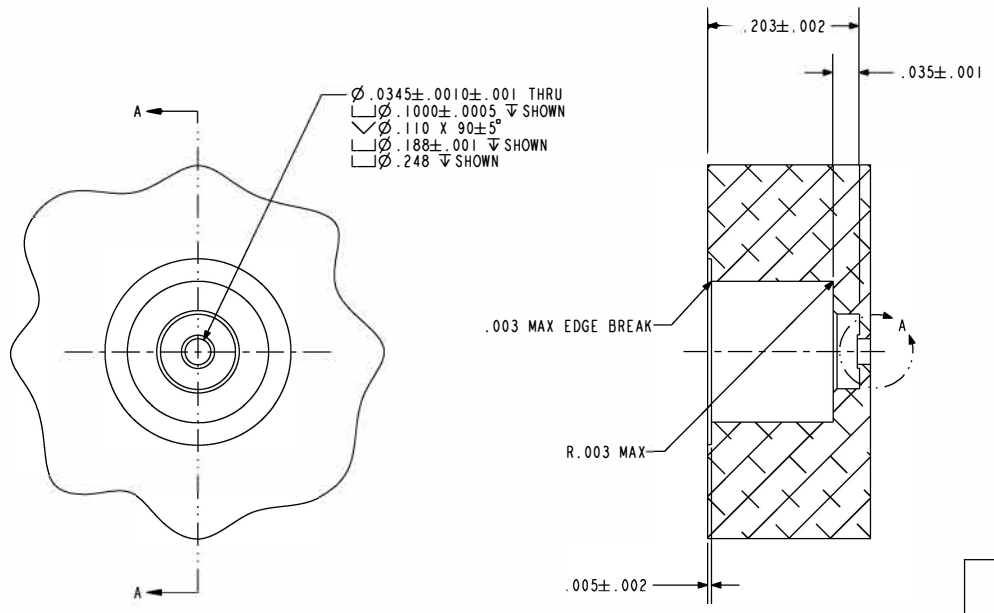
└── A = PIN EXTENSION (.020 MIN/.120 MAX)

└── FD = FULL DETENT, LD = LIMITED DETENT, ND = NO DETENT

└── BASE PART NUMBER

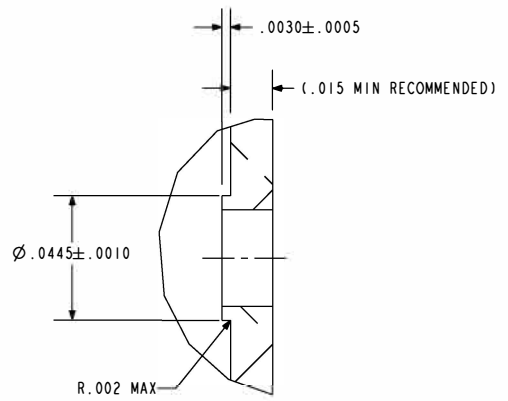


SECTION A-A
SCALE 5.000

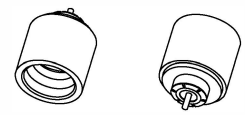


HOLE DETAIL
SCALE 4.000

SECTION A-A



DETAIL A
SCALE 15.000



SCALE 2.000

PA&E
A Division of
HERMETIC SOLUTIONS
Enabling Technology

434 Olds Station Rd. Wenatchee WA 98801

WWW.PACAERO.COM

TITLE:
CONNECTOR, RF, LASER WELDABLE PUSH-ON (LWP), HIGH PERFORMANCE,
ALUMINUM COMPATIBLE

THIRD ANGLE PROJECTION
CAGE CODE: 64567

VERSION: A.1
RELEASE DATE: 01-23-07

SALES DRAWING

SHEET: 1 OF 1

DOCUMENT: 0-93829