

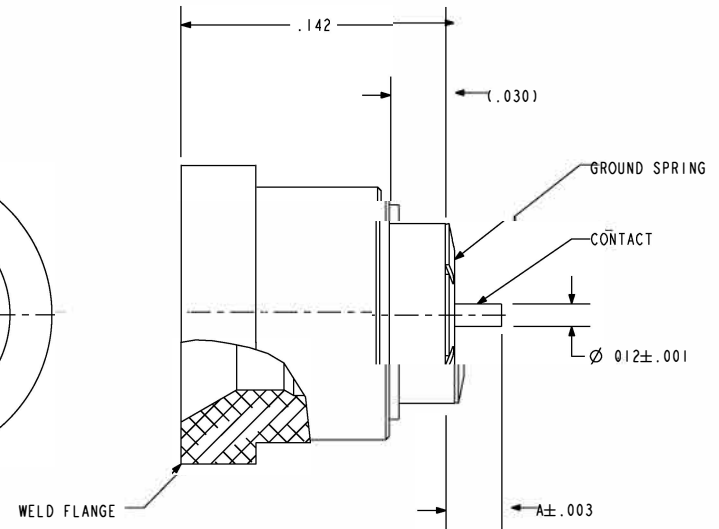
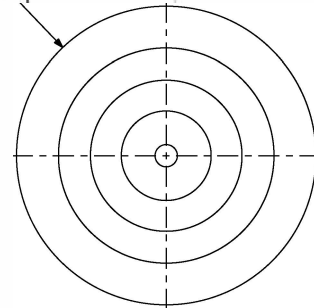
NOTES:

- HERMETIC LEAK RATE: LESS THAN OR EQUAL TO 1×10^{-9} CC/SEC He AT 1 ATM DIFFERENTIAL PRESSURE.
- NOMINAL IMPEDANCE: 50 OHMS.
- INSULATION RESISTANCE: 5000 MEGOHMS MINIMUM.
- DESIGNED TO BE LASER WELDED TO ALUMINUM ALLOY 6061 HOUSINGS.
- MATERIALS:
WELD FLANGE: 4000 SERIES ALUMINUM
CONTACT: KOVAR 1AW ASTM-F15 OR EQUIVALENT.
INSULATOR: 7070 CORNING GLASS OR EQUIVALENT.
GROUND SPRING: BeCu 173/174 1AW ASTM-B194, TD04.
- FINISH: CONTACT, BODY AND GROUND SPRING:
NICKEL PLATE 1AW ASTM B733, TYPE 1, CLASS 1, OR EQUIVALENT, .000100/.000250 THICK.
GOLD PLATE 1AW ASTM B488, TYPE III, CODE A, OR EQUIVALENT, .000050/.000150 THICK.
- GROUND SPRING SHIPPED LOOSE AND UNATTACHED.
- ORDERING INFORMATION:
PLEASE SPECIFY ACCORDING TO THE FOLLOWING:

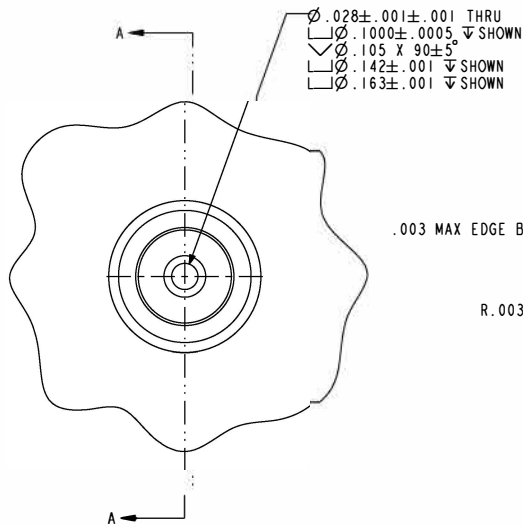
EXAMPLE: 93843 - FD - 045

A = PIN EXTENSION (.020 MIN/.120 MAX)
 FD = FULL DETENT, ND = NO DETENT
 BASE PART NUMBER

$\phi .160 \pm .001$

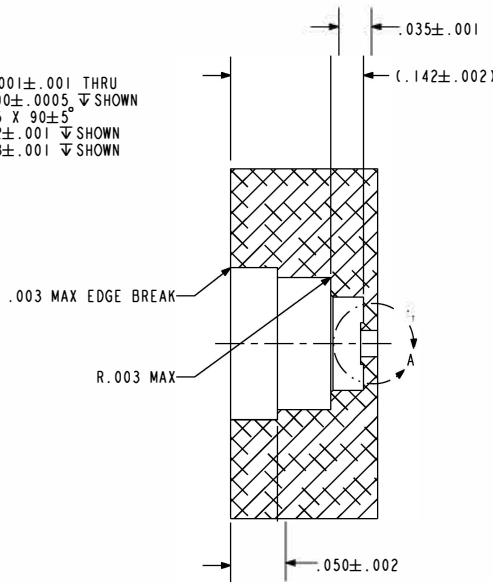


SECTION A-A

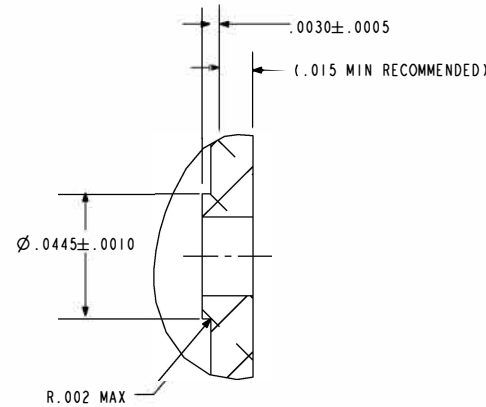


HOLE DETAIL

SCALE 5.000



SECTION A-A



DETAIL A
SCALE 15.000



SCALE 2.000

PACAE
 A Division of
HERMETICSOLUTIONS
 434 Olds Station Rd. Wenatchee WA 98801

WWW.PACAERO.COM

TITLE:
 CONNECTOR, RF, LASER WELDABLE PUSH-ON (LLWP), HIGH PERFORMANCE,
 ALUMINUM COMPATIBLE

THIRD ANGLE PROJECTION

CAGE CODE: 64567

VERSION: .1

RELEASE DATE: 01-23-07

SALES DRAWING

SHEET: 1 OF 1

DOCUMENT: 0-93843