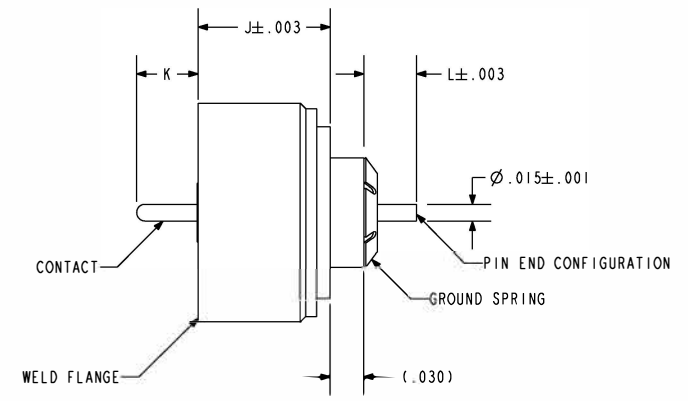
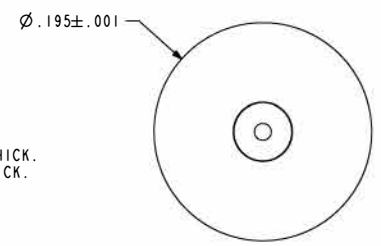


NOTES:

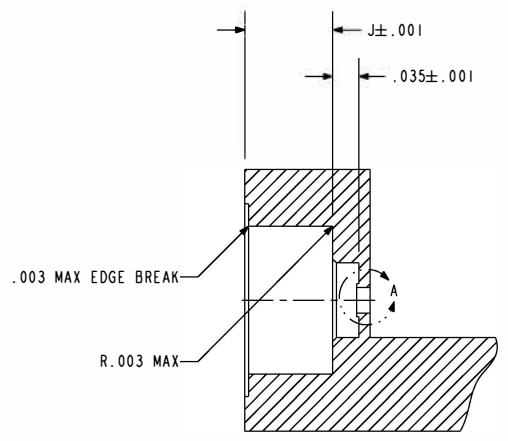
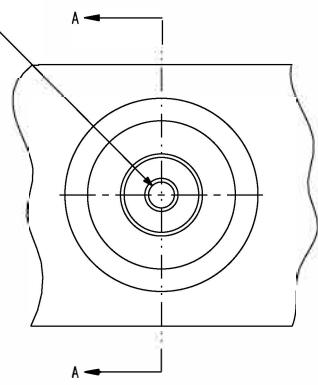
1. HERMETIC LEAK RATE: LESS THAN OR EQUAL TO 1×10^{-9} CC/SEC He AT 1 ATM DIFFERENTIAL PRESSURE.
2. NOMINAL IMPEDANCE: 50 OHMS.
3. INSULATION RESISTANCE: 5000 MEGOHMS MINIMUM.
4. DESIGNED TO BE LASER WELDED INTO ALUMINUM 6061 HOUSINGS.
5. MATERIALS:
 WELD FLANGE: 4000 SERIES ALUMINUM.
 CONTACT: KOVAR IAW ASTM-F15 OR EQUIVALENT.
 INSULATOR: 7070 CORNING GLASS OR EQUIVALENT.
 GROUND SPRING: BeCu-172/173 IAW ASTM-B194, TD04.
6. FINISH:
 NICKEL PLATE IAW ASTM B733, TYPE 1, CLASS 1, OR EQUIVALENT, .000100/.000250 THICK.
 GOLD PLATE IAW ASTM B488, TYPE III, CODE A, OR EQUIVALENT, .000050/.000150 THICK.
 WELD FLANGE: CONVERSION COATED IAW MIL-C-5541, CL 1A
7. GROUND SPRING SHIPPED LOOSE AND UNATTACHED.
8. ORDERING INFORMATION:
 PLEASE SPECIFY ACCORDING TO THE FOLLOWING:

94003 - 118 - 055 - 035 - F

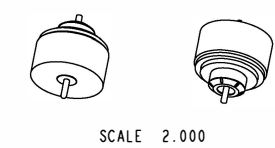
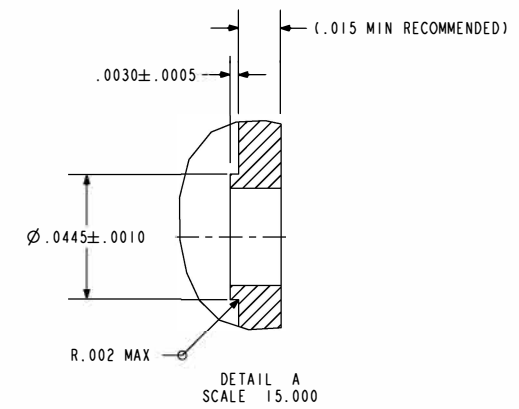
- 94003 - BASE PART NUMBER
- 118 - J = BODY LENGTH (.088/.093/.118)
- 055 - K = AMBIENT PIN EXTENSION
- 035 - L = HERMETIC PIN EXTENSION (.035 MIN)
- F - PIN END CONFIGURATION
 F = FLAT
 R = ROUND



$\phi .0345 \pm .0010$ THRU
 $\phi .1000 \pm .0005$ ∇ SHOWN
 $\phi .110 \times 90^\circ \pm 5^\circ$
 $\phi .198 \pm .001$ ∇ SHOWN
 $\phi .258 \nabla .005 \pm .002$



HOLE DETAIL
 SCALE 4.000



P&E
 The Electronic Association
 A Division of
HERMETICSOLUTIONS
 Enabling Technology
 434 Olds Station Rd. Wenatchee WA 98801

WWW.PACAERO.COM

TITLE:
 CONNECTOR, RF, FLANGE MOUNT, LASER WELDABLE, HIGH PERFORMANCE,
 ALUMINUM COMPATIBLE

THIRD ANGLE PROJECTION

 CAGE CODE: 64567

VERSION
 - .2

RELEASE DATE:
 01-19-07

SALES DRAWING

SHEET:
 1 OF 1

DOCUMENT:
 0-94003