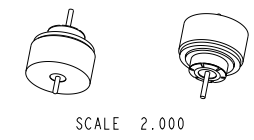
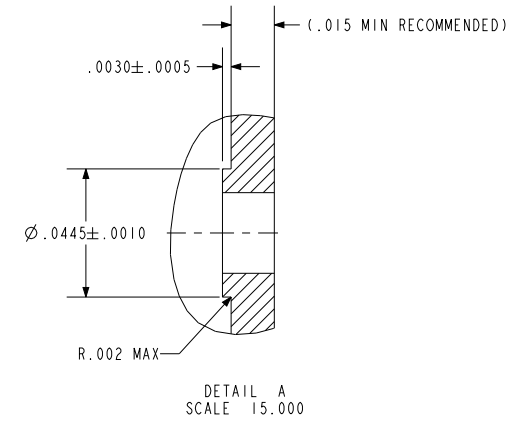
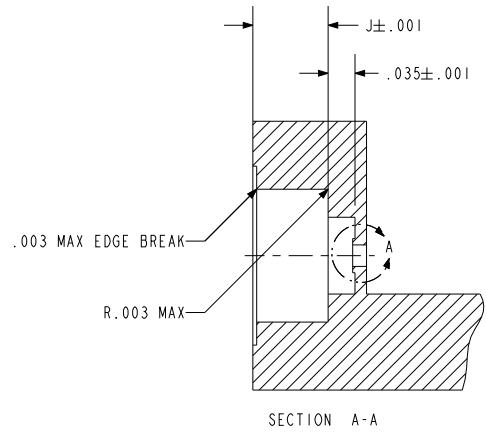
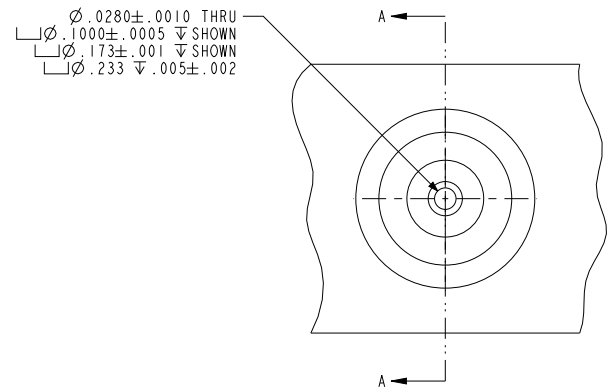
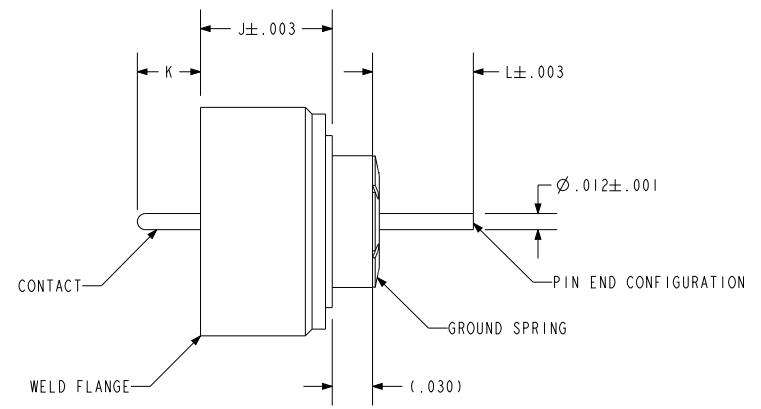
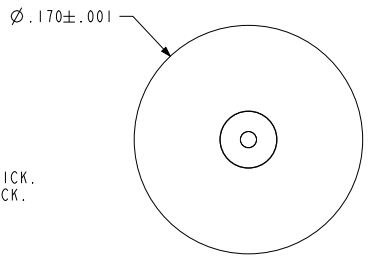
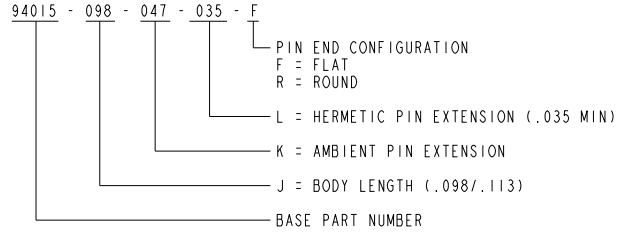


NOTES:

1. HERMETIC LEAK RATE: LESS THAN OR EQUAL TO  $1 \times 10^{-9}$  CC/SEC He AT 1 ATM DIFFERENTIAL PRESSURE.
2. NOMINAL IMPEDANCE: 50 OHMS.
3. INSULATION RESISTANCE: 5000 MEGOHMS MINIMUM.
4. DESIGNED TO BE LASER WELDED INTO ALUMINUM 6061 HOUSINGS.
5. MATERIALS:  
 WELD FLANGE: 4000 SERIES ALUMINUM.  
 CONTACT: KOVAR IAW ASTM-F15 OR EQUIVALENT.  
 INSULATOR: 7070 CORNING GLASS OR EQUIVALENT.  
 GROUND SPRING: BeCu-172/173 IAW ASTM-B194, TD04.
6. FINISH:  
 NICKEL PLATE IAW ASTM B733, TYPE I, CLASS I, OR EQUIVALENT, .000100/.000250 THICK.  
 GOLD PLATE IAW ASTM B488, TYPE III, CODE A, OR EQUIVALENT, .000050/.000150 THICK.  
 WELD FLANGE: CONVERSION COATED IAW MIL-C-5541, CL 1A
7. GROUND SPRING SHIPPED LOOSE AND UNATTACHED.
8. ORDERING INFORMATION:  
 PLEASE SPECIFY ACCORDING TO THE FOLLOWING:  
 94015 - 098 - 047 - 035 - F



HOLE DETAIL  
SCALE 4.000

A Division of  
**HERMETIC SOLUTIONS**  
 Paving Technology  
 434 Olds Station Rd. Wenatchee WA 98801

TITLE:  
 CONNECTOR, RF, FLANGE MOUNT, LASER WELDABLE, HIGH PERFORMANCE,  
 ALUMINUM COMPATIBLE

WWW.PACAERO.COM  
 THIRD ANGLE PROJECTION  
  
 CAGE CODE: 64567

VERSION: C.3  
 RELEASE DATE: 11-04-08

**SALES DRAWING**

SHEET: 1 OF 1

DOCUMENT: 0-94015