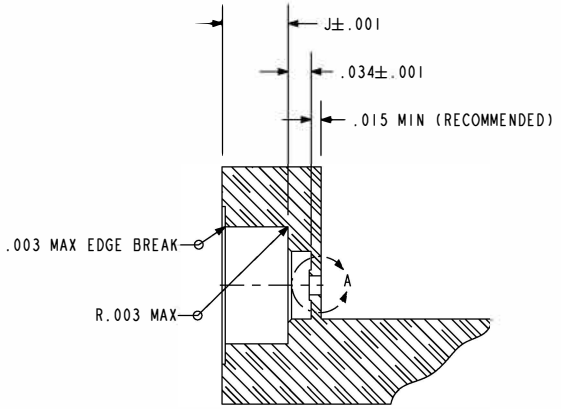
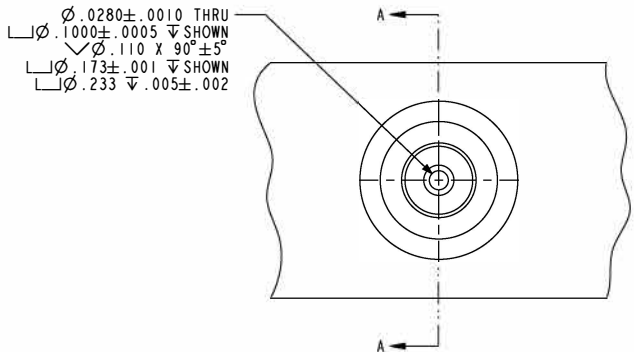
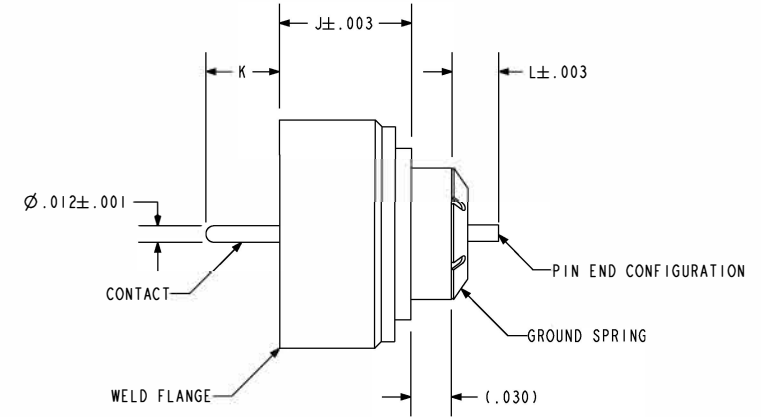
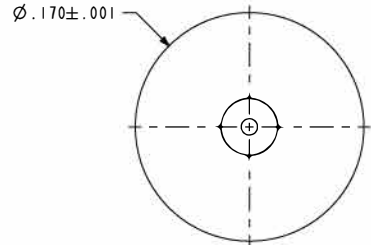
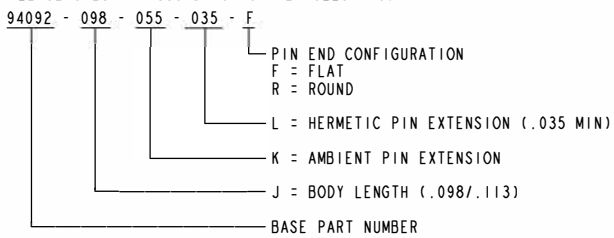
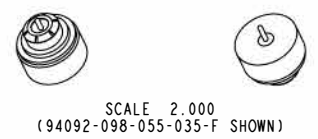


NOTES:

1. INTERFACE PER MIL-STD-348.
2. HERMETIC LEAK RATE: LESS THAN OR EQUAL TO 1×10^{-9} CC/SEC He AT 1 ATM DIFFERENTIAL PRESSURE.
3. NOMINAL IMPEDANCE: 50 OHMS.
4. INSULATION RESISTANCE: 5000 MEGOHMS MINIMUM.
5. DESIGNED TO BE LASER WELDED INTO TITANIUM HOUSINGS.
6. MATERIALS:
 WELD FLANGE: TITANIUM.
 CONTACT: KOVAR 1AW ASTM-F15 OR EQUIVALENT.
 INSULATOR: 7070 CORNING GLASS OR EQUIVALENT.
 GROUND SPRING: BeCu-172/173 1AW ASTM-B194, TD04.
7. FINISH:
 NICKEL PLATE 1AW ASTM B733, TYPE I, CLASS 4, .000100/.000250 THICK.
 GOLD PLATE 1AW ASTM B488, TYPE III, CODE A, .000050/.000150 THICK.
8. ORDERING INFORMATION:
 PLEASE SPECIFY ACCORDING TO THE FOLLOWING:
 94092 - 098 - 055 - 035 - F

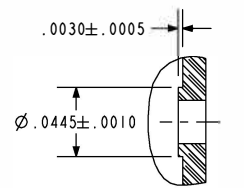


SECTION A-A



HOLE DETAIL

SCALE 3.500



DETAIL A
SCALE 8.000

A Division of
HERMETIC SOLUTIONS
 The Hermetic Revolution
 Advancing Technology
 434 Olds Station Rd. Wenatchee WA 98801

WWW.PACAERO.COM

| | | | |
|------------|--|------------------------|---------|
| TITLE: | CONNECTOR, RF, FLANGE MOUNT, TI-COMPATIBLE | THIRD ANGLE PROJECTION | |
| CAGE CODE: | 64567 | DOCUMENT: | 0-94092 |

| | | | |
|----------|---|---------------|----------|
| VERSION: | 1 | RELEASE DATE: | 01-06-11 |
|----------|---|---------------|----------|

SALES DRAWING

SHEET: 1 OF 1