

NOTES:

- HOLES AND INTERFACE DIMENSIONS PER MIL-PRF-83513/2.
- MATEABLE WITH CONNECTORS MANUFACTURED PER MIL-PRF-83513/1 AND MIL-PRF-83513/3.
- DESIGNED TO BE O-RING SEALED AND FASTENED WITH HARDWARE.
- HERMETIC LEAK RATE: LESS THAN OR EQUAL TO  $1 \times 10^{-9}$  CC/SEC He AT 1 ATM DIFFERENTIAL PRESSURE.
- ELECTRICAL REQUIREMENTS:  
 INSULATION RESISTANCE: GREATER THAN 5,000 MEGOHMS AT  $500 \pm 10\%$  VDC AT 25°C WHEN TESTED IAW MIL-STD-1344, METHOD 3003.  
 DIELECTRIC WITHSTANDING VOLTAGE: MUST SHOW NO EVIDENCE OF BREAKDOWN OR FLASHOVER WHEN SUBJECTED TO 600 VAC RMS 60Hz IAW MIL-STD-1344, METHOD 3001. DURATION OF APPLICATION TO BE 1 SEC MIN.

6. MATERIALS:

SHELL: 304L STAINLESS STEEL  
 CONTACTS: BERYLLIUM-COPPER IAW ASTM B196 OR ASTM B197.  
 INSULATORS: KRYOFLEX PROPRIETARY POLYCRYSTALLINE CERAMIC.  
 INTERFACIAL SEAL: FLUOROSILICONE RUBBER IAW MIL-R-25988, CLASS I, TYPE II, GRADE 60.  
 MALE-FEMALE HEX STANDOFFS: 300-SERIES STAINLESS STEEL (SHIPPED LOOSE).

7. FINISHES:

CONTACTS: ELECTROLYTIC NICKEL PLATE IAW QQ-N-290, .000050/.000150 THICK.  
 GOLD PLATE IAW ASTM B488, TYPE III, CODE A .000075/.000175 THICK.

8. ORDERING INFORMATION:

PLEASE SPECIFY ACCORDING TO THE FOLLOWING: 94102 - X  
 - PIN COUNT (9, 15, 21, 25, 31, OR 37)  
 - BASE PART NUMBER TO ORDER

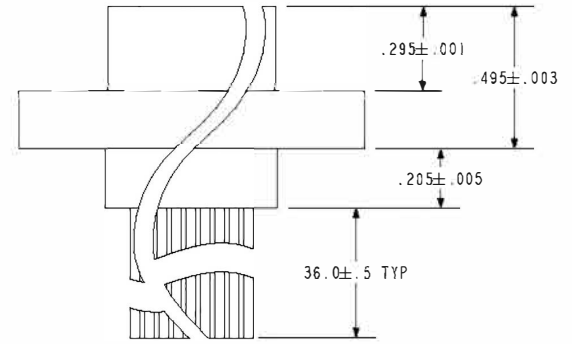
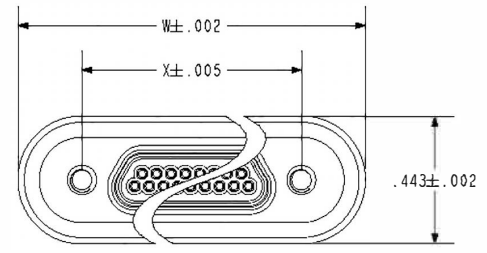
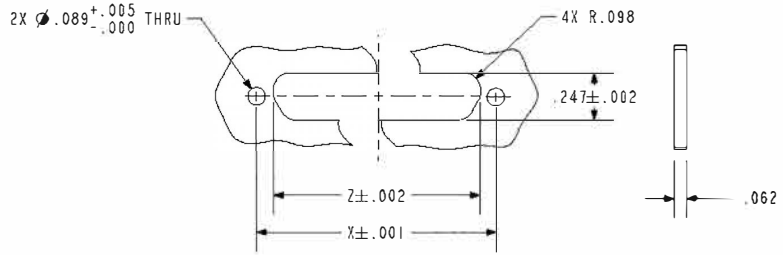
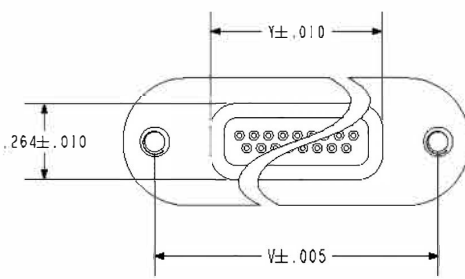
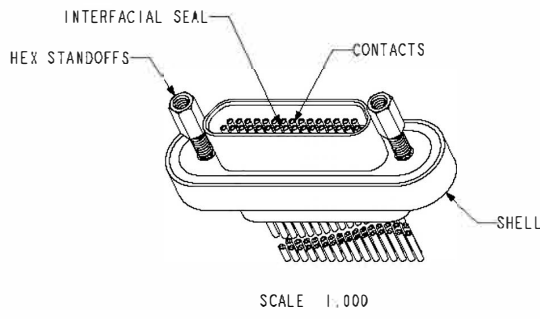


TABLE I					
NUMBER OF CONTACTS	V	W	X	Y	Z
9	.790	1.008	.565	.404	.394
15	.940	1.158	.715	.554	.544
21	1.090	1.308	.865	.704	.694
25	1.190	1.408	.965	.804	.794
31	1.340	1.558	1.115	.954	.944
37	1.490	1.708	1.265	1.104	1.094



HOLE DETAIL

**PA&E** A Division of HERMETIC SOLUTIONS  
 The Electronic Advantage  
 434 Olds Station Rd. Wenatchee WA 98801

WWW.PACAERO.COM

TITLE: CONNECTOR, MICRO-D, O-RING MOUNT, ALUMINUM  
 THIRD ANGLE PROJECTION  
 CAGE CODE: 64567

VERSION: B.0  
 RELEASE DATE: 12-06-12

SALES DRAWING

SHEET: 1 OF 1

DOCUMENT: 0-94102