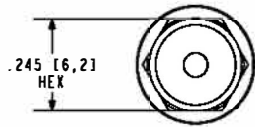


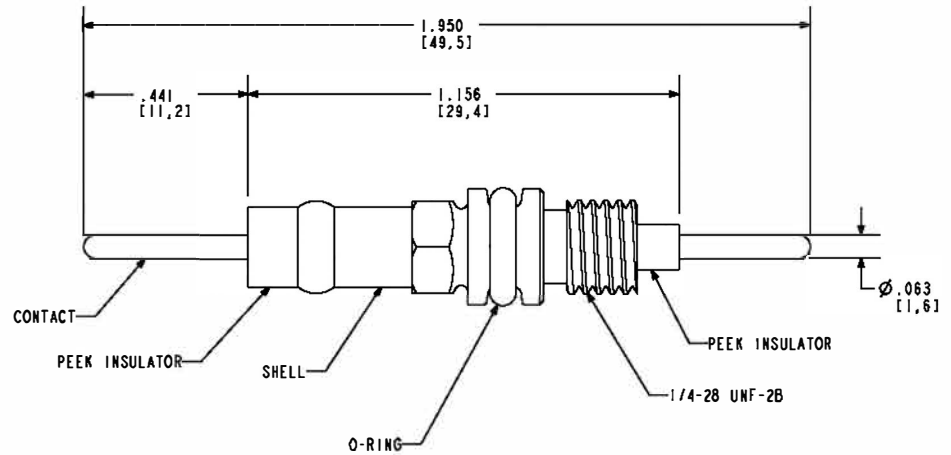
NOTES:

1. HERMETIC LEAK RATE: LESS THAN OR EQUAL TO 1×10^{-9} CC/SEC He AT 1 ATM DIFFERENTIAL PRESSURE.
2. ELECTRICAL REQUIREMENTS:
 - INSULATION RESISTANCE: GREATER THAN 5,000 MEGOHMS AT $500 \pm 10\%$ VDC AT 25°C WHEN TESTED IAW MIL-STD-1344, METHOD 3003.
 - DIELECTRIC WITHSTANDING VOLTAGE: MUST SHOW NO EVIDENCE OF BREAKDOWN OR FLASHOVER WHEN SUBJECTED TO 600 VAC RMS 60Hz IAW MIL-STD-1344, METHOD 3001. DURATION OF APPLICATION TO BE 1 SEC MIN.
3. DESIGNED FOR HIGH PRESSURE, HIGH TEMPERATURE APPLICATIONS.
4. MATERIALS:
 - SHELL: INCONEL X-750, IAW AMS 5667.
 - CONTACT: INCONEL X-750, IAW AMS 5698.
 - INSULATOR: KRYOFLEX 313 PROPRIETARY POLYCRYSTALLINE CERAMIC AND PEEK.
5. FINISH:
 - NICKEL PLATE IAW ASTM B733, TYPE I, CLASS 4, .000100/.000250 THICK.
 - GOLD PLATE IAW ASTM B488, TYPE III, CODE A, .000050/.000150 THICK.
6. ORDERING INFORMATION:
 - PLEASE SPECIFY ACCORDING TO THE FOLLOWING:

94253-1



SCALE 1.000



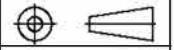
PACAE
 A Division of
HERMETIC SOLUTIONS
 Enabling Technology
 434 Olds Station Rd. Wenatchee WA 98801

WWW.PACAERO.COM

TITLE:

CONNECTOR, FEEDTHRU, COAX

THIRD ANGLE PROJECTION



CAGE CODE: 64567

VERSION

- .0

RELEASE DATE:

03-07-08

SALES DRAWING

SHEET:

1 OF 1

DOCUMENT:

0-94253