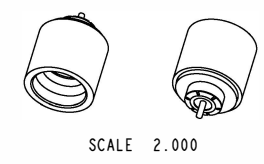
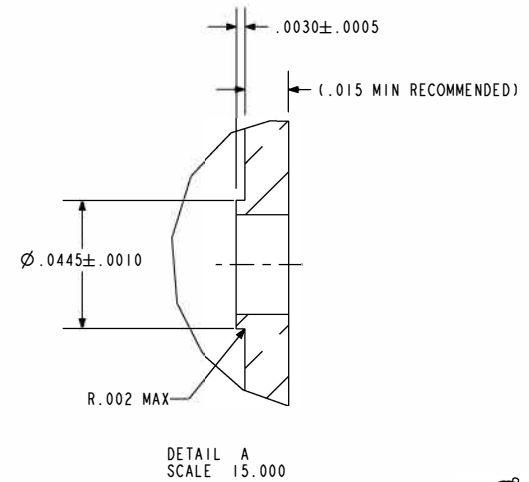
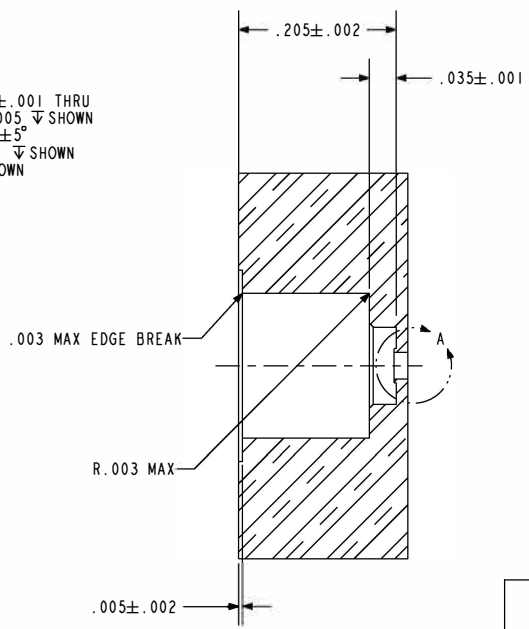
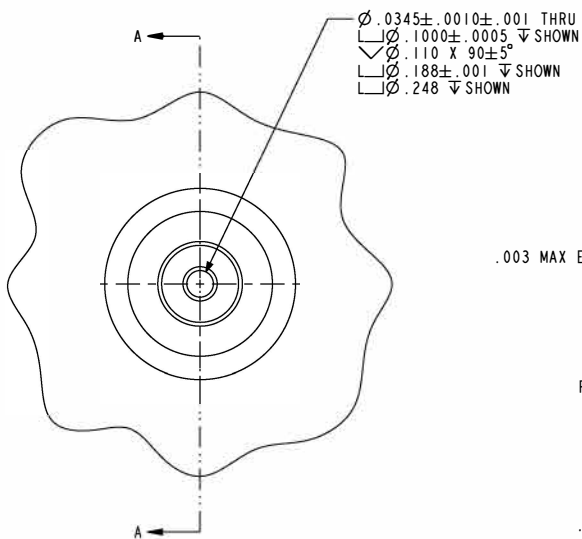
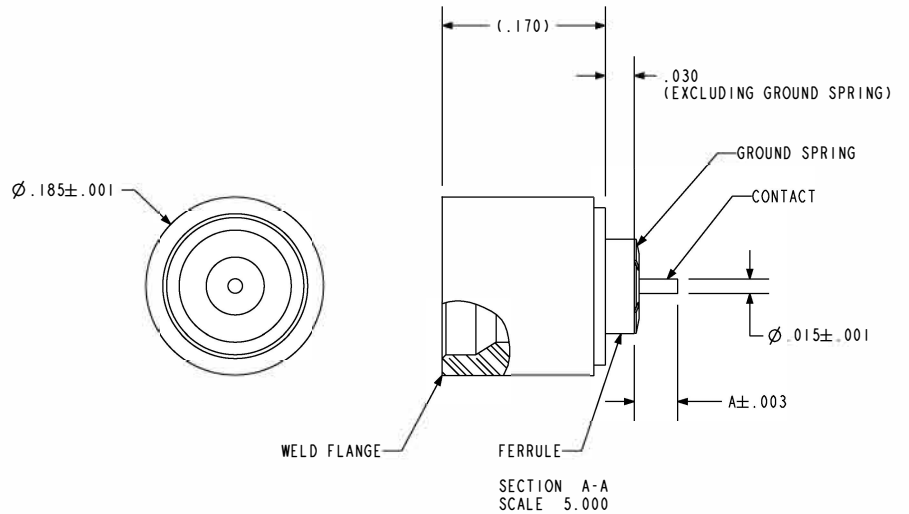
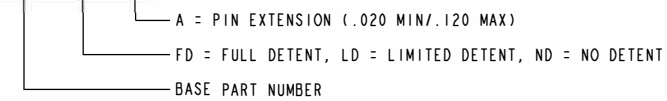


NOTES:

1. INTERFACE PER MIL-STD-348.
2. HERMETIC LEAK RATE: LESS THAN OR EQUAL TO  $1 \times 10^{-9}$  CC/SEC He AT 1 ATM DIFFERENTIAL PRESSURE.
3. NOMINAL IMPEDANCE: 50 OHMS.
4. INSULATION RESISTANCE: 5000 MEGOHMS MINIMUM.
5. DESIGNED TO BE LASER WELDED TO TITANIUM HOUSINGS.
6. MATERIALS:  
 WELD FLANGE: TITANIUM  
 CONTACT: KOVAR 1AW ASTM-F15 OR EQUIVALENT.  
 INSULATOR: 7070 CORNING GLASS OR EQUIVALENT.  
 GROUND SPRING: BeCu 173/174 1AW ASTM-B194, TD04.
7. FINISH: CONTACT, BODY AND GROUND SPRING:  
 NICKEL PLATE 1AW AMS-SAE-QQ-N-290, OR EQUIVALENT, .000100/.000250 THICK.  
 GOLD PLATE 1AW ASTM B488, TYPE III, CODE A, OR EQUIVALENT, .000050/.000150 THICK.  
 WELD FLANGE: NONE
8. GROUND SPRING SHIPPED LOOSE AND UNATTACHED.
8. ORDERING INFORMATION:  
 PLEASE SPECIFY ACCORDING TO THE FOLLOWING:

EXAMPLE: 94386 - FD - 045



HOLE DETAIL  
 SCALE 4.000

**PACERO**  
 The Hermetic Advantage  
 A Division of  
**HERMETIC SOLUTIONS**  
 Precision Technology  
 434 Olds Station Rd. Wenatchee WA 98801

TITLE:  
 CONNECTOR, RF, LASER WELDABLE PUSH-ON (LWP), HIGH PERFORMANCE,  
 TITANIUM COMPATIBLE

THIRD ANGLE PROJECTION  
  
 CAGE CODE: 64567

VERSION: 1  
 RELEASE DATE: 01-06-11

**SALES DRAWING**

SHEET: 1 OF 1

DOCUMENT: 0-94386