

NOTES:

1. DESIGNED TO BE LASER WELDED TO A TITANIUM HOUSING.
2. HERMETIC LEAK RATE: LESS THAN OR EQUAL TO 1×10^{-9} CC/SEC H_2 AT 1 ATM DIFFERENTIAL PRESSURE.
3. ELECTRICAL REQUIREMENTS:

INSULATION RESISTANCE: GREATER THAN 5,000 MEGOHMS AT $500 \pm 10\%$ VDC AT $25^\circ C$ WHEN TESTED IAW MIL-STD-1344, METHOD 3003.

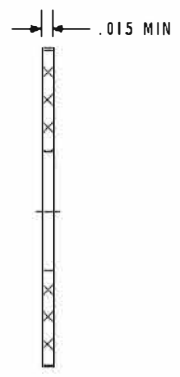
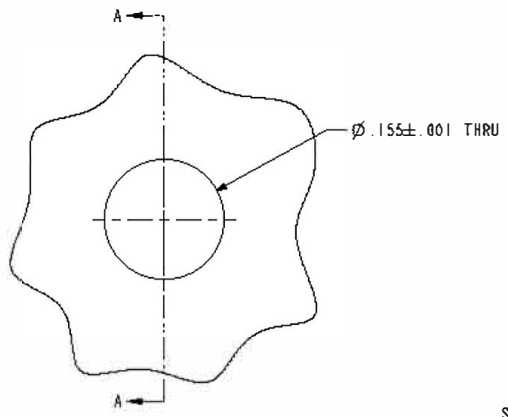
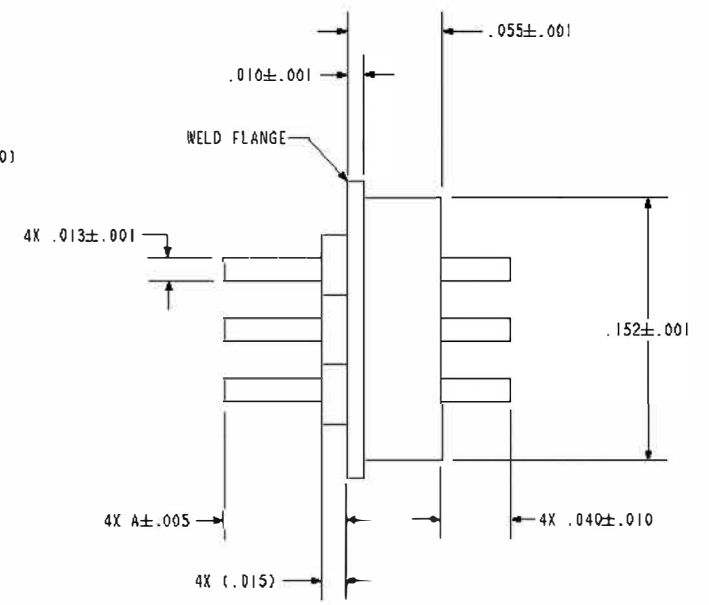
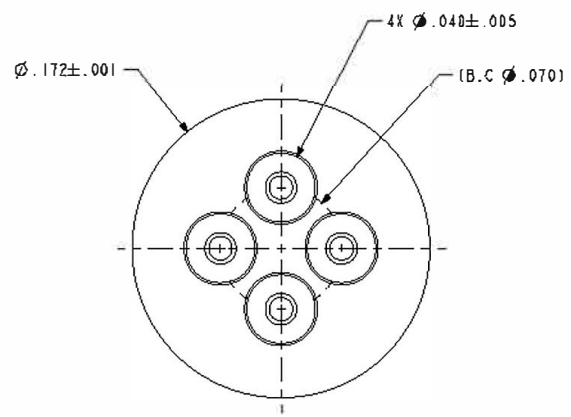
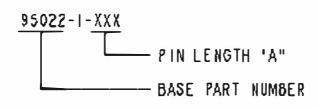
DIELECTRIC WITHSTANDING VOLTAGE: MUST SHOW NO EVIDENCE OF BREAKDOWN OR FLASHOVER WHEN SUBJECTED TO 600 VAC RMS 60Hz IAW MIL-STD-1344, METHOD 3001. DURATION OF APPLICATION TO BE 1 SEC MIN.

4. MATERIALS:

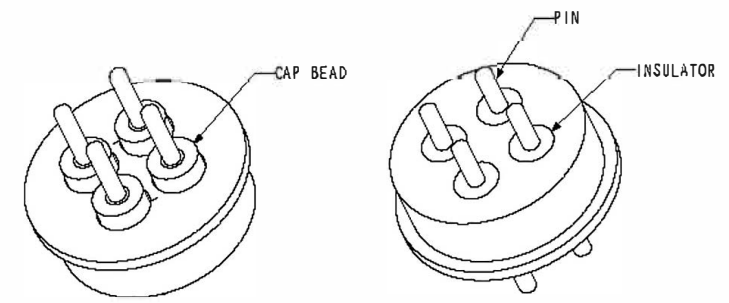
WELD FLANGE: GRADE 4 TITANIUM
 CONTACTS: 80%Pt/20%Ir
 INSULATOR: KRYOFLEX 313 PROPRIETARY POLYCRYSTALLINE CERAMIC.
 CAP BEAD: ALUMINA

5. ORDERING INFORMATION:

PLEASE SPECIFY ACCORDING TO THE FOLLOWING



SUGGESTED HOLE DETAIL



SCALE 1.000
 95022-1-071 SHOWN

PA&E A Division of HERMETIC SOLUTIONS
 The Hermetic Advantage
 Enabling Technology

434 Olds Station Rd. Wenatchee WA 98801
 WWW.PACAERO.COM

TITLE: FEEDTHRU, IMPLANTABLE, QUAD POLAR
 THIRD ANGLE PROJECTION

J/C:

SALES DRAWING
 SCALE: 1.000
 SHEET: 1 OF 1
 DOCUMENT: 0-95022

VERSION A.0	RELEASE DATE: 02-05-14	CAGE CODE	SCALE: 1.000	SHEET: 1 OF 1	DOCUMENT: 0-95022
----------------	---------------------------	-----------	-----------------	------------------	----------------------